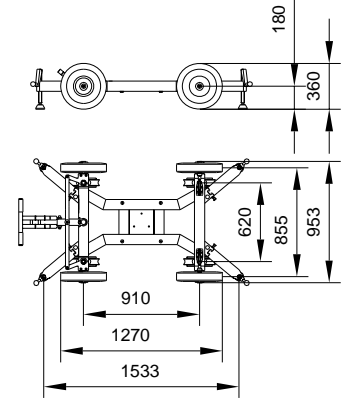
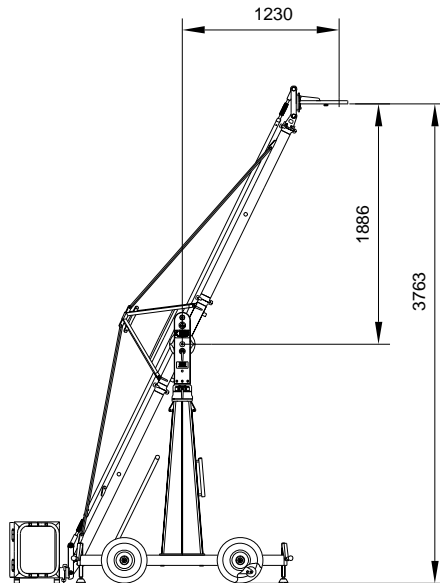


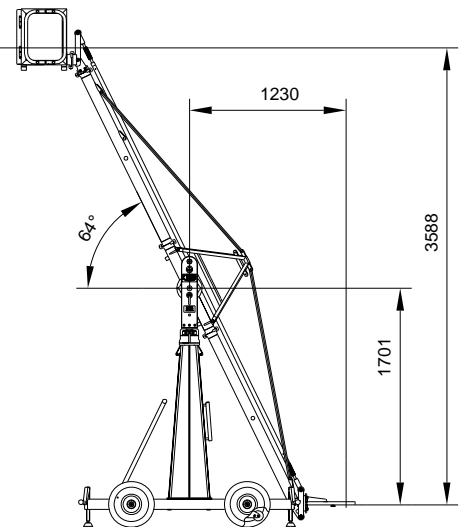
Horizontal position



Dolly (Dimensions are the same in all versions)



Highest position



Lowest position

Pivot height 1877 mm

Rear extension arm required 1500 mm

All measurements are mm !

Front extension arms required	1x1500 mm	Transport height of middle section, assembled	2127 mm
	--	Transport height of rigging harness assembled	ca.2393 mm
	--	Counterweight required to balance empty arm	--
Rear extension arm required	1x 1500 mm	Max. lift capacity (Working load)	45 kg
Total lift range	3588 mm	Counterweight required vor max. load	2x14kg= 28 kg
Maximum height	3763 mm		
Arm reach (pivot to camera head mount)	2351 mm	Dolly weight	80 kg
Length of rear end (pivot to outside of weight bucket)	2476 mm	Crane weight (excluding dolly and weights)	92 kg
Pivot height	1877 mm	Transport weight excluding counterweight	204 kg



GF-9 Specifications

Version 1/150 D

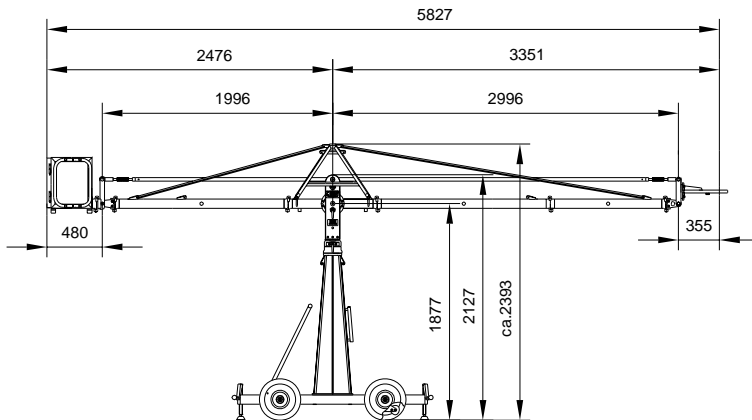
Datenblatt- Nr.:

D100-V1a-150-D

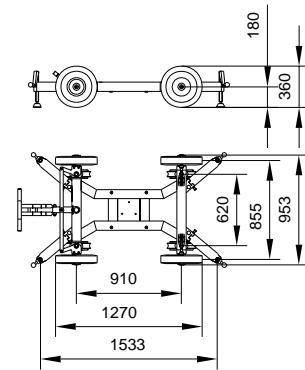
Erstellt	Name	Datum	Index	Datum	Name
Erstellt	Trautwig	15.05.03	a	02.09.03	Trautwig
Geprüft					

Zugehörige Zeichnungs-Nr.:

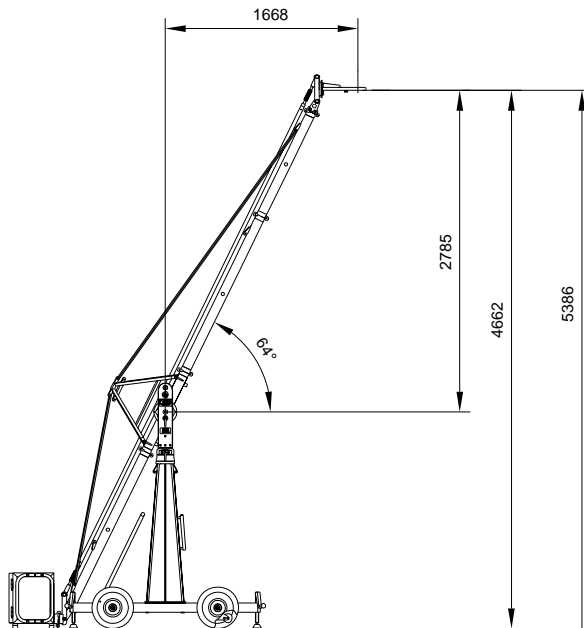
--



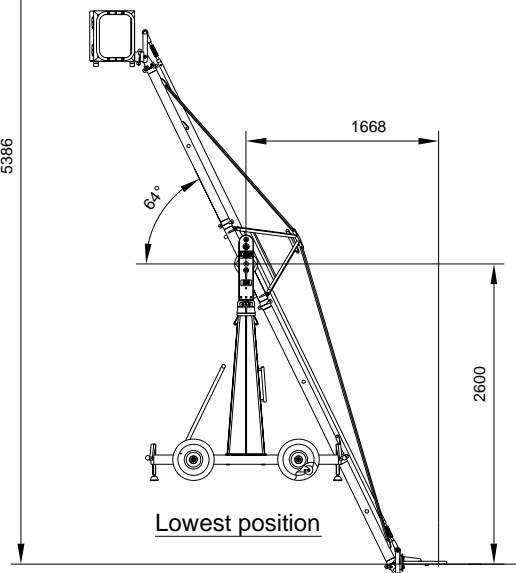
Horizontal position



Dolly (Dimensions are the same in all versions)



Highest position



Lowest position

Pivot height 1877 mm

Rear extension arm required 1500 mm

All measurements are mm !

Front extension arms required	1x1500 mm	Transport height of middle section, assembled	2127 mm
	1x1000 mm	Transport height of rigging harness assembled	ca.2393 mm
	--	Counterweight required to balance empty arm	--
Rear extension arm required	1x 1500 mm	Max. lift capacity (Working load)	45 kg
Total lift range	5386 mm	Counterweight required vor max. load	4x14kg+ 1x8kg=64 kg
Maximum height	4662 mm		
Arm reach (pivot to camera head mount)	3351 mm	Dolly weight	112 kg
Length of rear end (pivot to outside of weight bucket)	2476 mm	Crane weight (excluding dolly and weights)	98 kg
Pivot height	1877 mm	Transport weight excluding counterweight	210 kg



GF-9 Specifications

Version 2/150 D

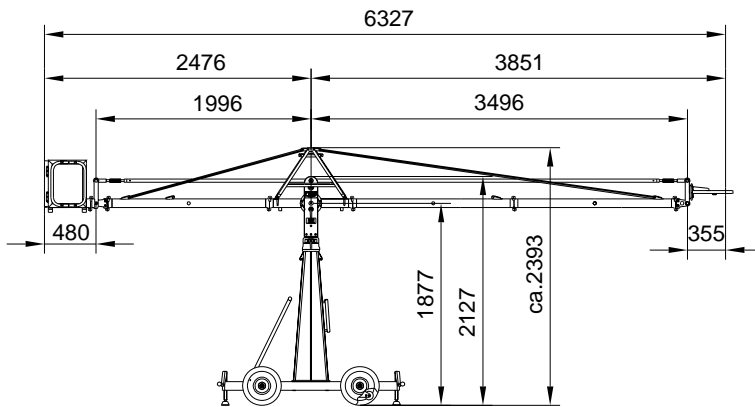
Datenblatt-Nr.:

D100-V2a-150-D

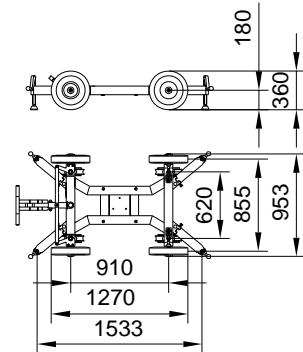
	Name	Datum	Index	Datum	Name
Erstellt	Trautwig	15.05.03	a	02.09.03	Trautwig
Geprüft					

Zugehörige Zeichnungs-Nr.:

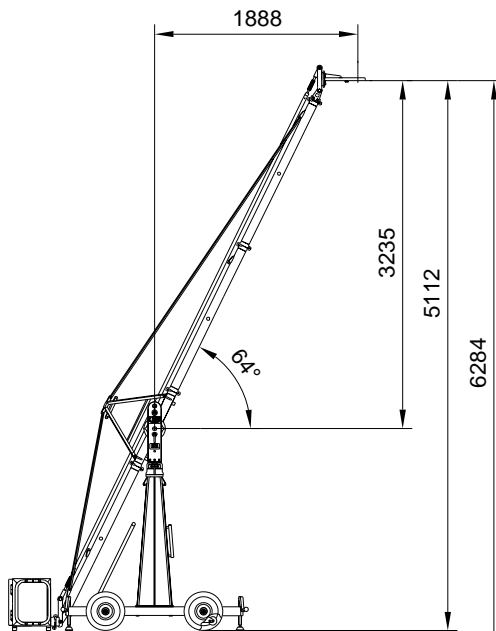
--



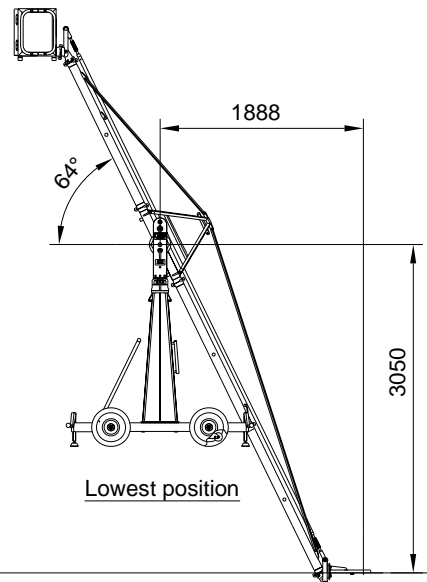
Horizontal position



Dolly (Dimensions are the same in all versions)



Highest position



Lowest position

Pivot height 1877 mm

Rear extension arm required 1500 mm

All measurements are mm !

Front extension arms required	2x1500 mm	Transport height of middle section, assembled	2127 mm
	--	Transport height of rigging harness assembled	ca.2393 mm
	--	Counterweight required to balance empty arm	1x8kg
Rear extension arm required	1x 1500 mm	Max. lift capacity (Working load)	45 kg
Total lift range	6284 mm	Counterweight required vor max. load	6x14kg= 84 kg
Maximum height	5112 mm		
Arm reach (pivot to camera head mount)	3851 mm	Dolly weight	112 kg
Length of rear end (pivot to outside of weight bucket)	2476 mm	Crane weight (excluding dolly and weights)	101 kg
Pivot height	1877 mm	Transport weight excluding counterweight	213 kg



GF-9 Specifications

Version 3/150 D

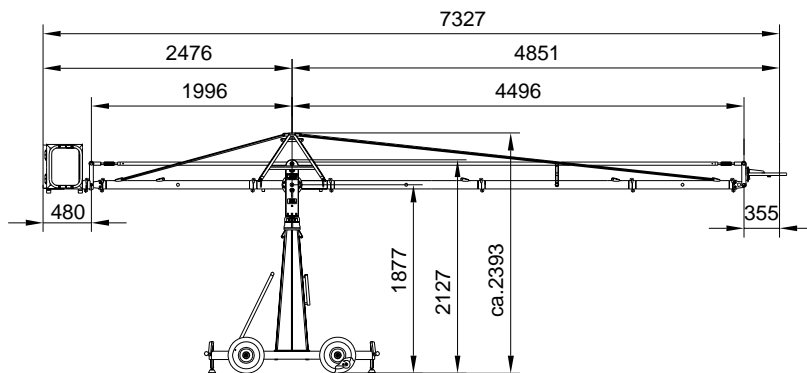
Datenblatt- Nr.:

D100-V3a-150-D

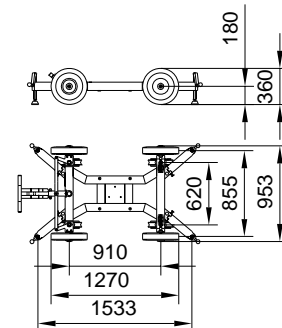
Erstellt	Name	Datum	Index	Datum	Name
Geprüft	Trautwig	15.05.03	a	02.09.03	Trautwig

Zugehörige Zeichnungs-Nr.:

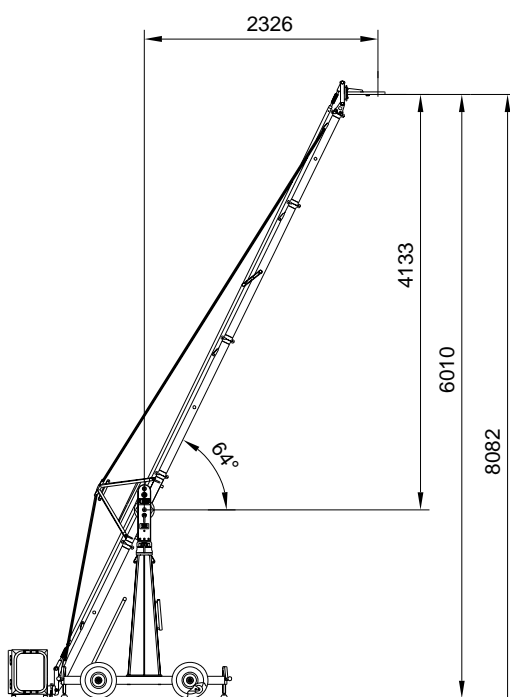
--



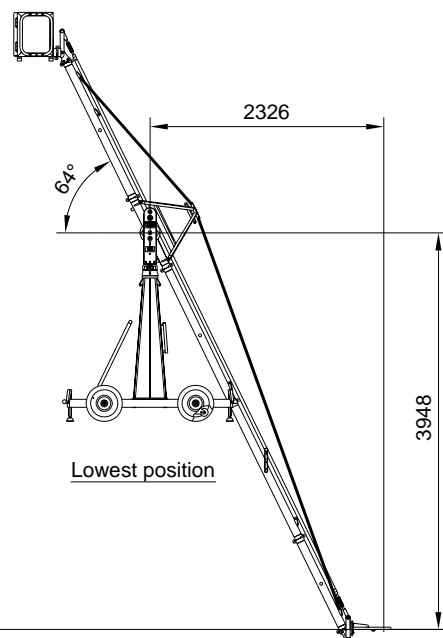
Horizontal position



Dolly (Dimensions are the same in all versions)



Highest position



Lowest position

All measurements are mm !
 Pivot height 1877 mm
 Rear extension arm required 1500 mm

Front extension arms required	2x1500 mm	Transport height of middle section, assembled	2127 mm
	1x1000 mm	Transport height of rigging harness assembled	ca.2393 mm
	--	Counterweight required to balance empty arm	1x14kg+ 1x8kg=22kg
Rear extension arm required	1x 1500 mm	Max. lift capacity (Working load)	45 kg
Total lift range	8082 mm	Counterweight required vor max. load	9x14kg= 126 kg
Maximum height	6010 mm		
Arm reach (pivot to camera head mount)	4851 mm	Dolly weight	112 kg
Length of rear end (pivot to outside of weight bucket)	2476 mm	Crane weight (excluding dolly and weights)	108 kg
Pivot height	1877 mm	Transport weight excluding counterweight	220 kg



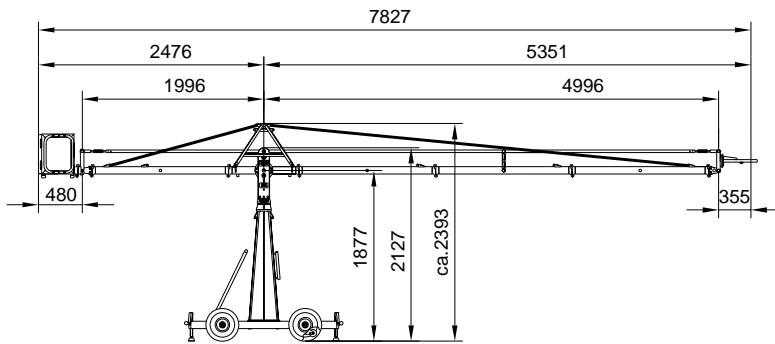
GF-9 Specifications

Version 4/150 D

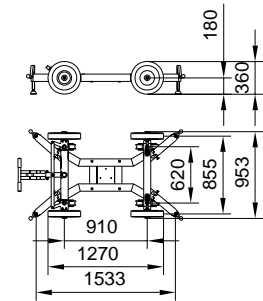
Datenblatt-Nr.:
D100-V4a-150-D

Name	Datum	Index	Datum	Name
Erstellt	Trautwig	15.05.03	a	02.09.03 Trautwig
Geprüft				

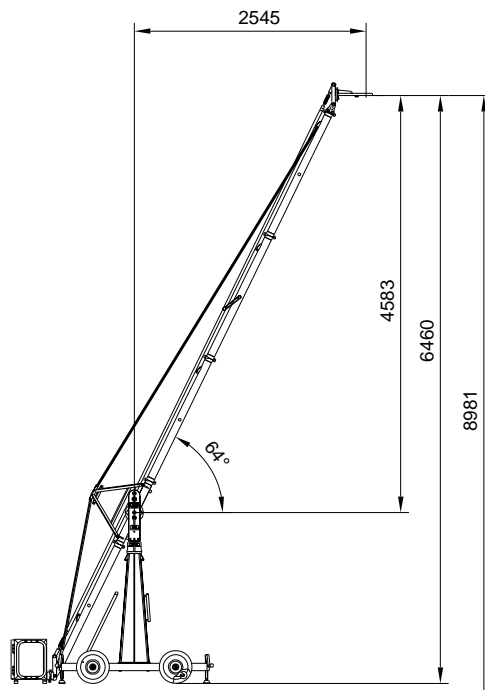
Zugehörige Zeichnungs-Nr.:
--



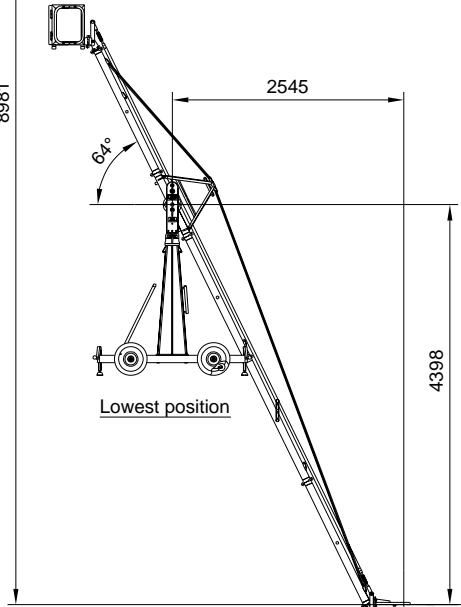
Horizontal position



Dolly (Dimensions are the same in all versions)



Highest position



Lowest position

All measurements are mm !

Pivot height 1877 mm

Rear extension arm required 1500 mm

Front extension arms required	3x1500 mm	Transport height of middle section, assembled	2127 mm
	--	Transport height of rigging harness assembled	ca.2393 mm
	--	Counterweight required to balance empty arm	2x14kg+ 1x8kg=36kg
Rear extension arm required	1x 1500 mm	Max. lift capacity (Working load)	30 kg
Total lift range	8981 mm	Counterweight required vor max. load	7x14kg+ 1x 8kg=106kg
Maximum height	6460 mm		
Arm reach (pivot to camera head mount)	5351 mm	Dolly weight	112 kg
Length of rear end (pivot to outside of weight bucket)	2476 mm	Crane weight (excluding dolly and weights)	112 kg
Pivot height	1877 mm	Transport weight excluding counterweight	224 kg



GF-9 Specifications

Version 5/150 D

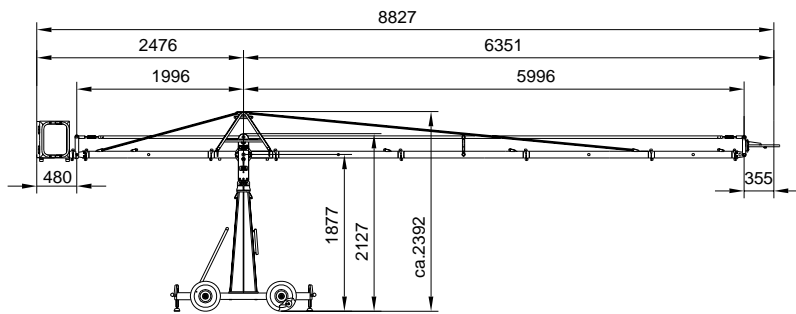
Datenblatt- Nr.:

D100-V5a-150-D

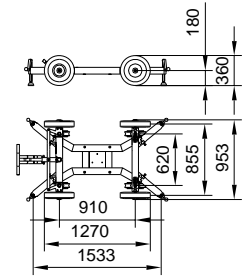
Name	Datum	Index	Datum	Name
Erstellt	Trautwig	15.05.03	a	02.09.03 Trautwig
Geprüft				

Zugehörige Zeichnungs-Nr.:

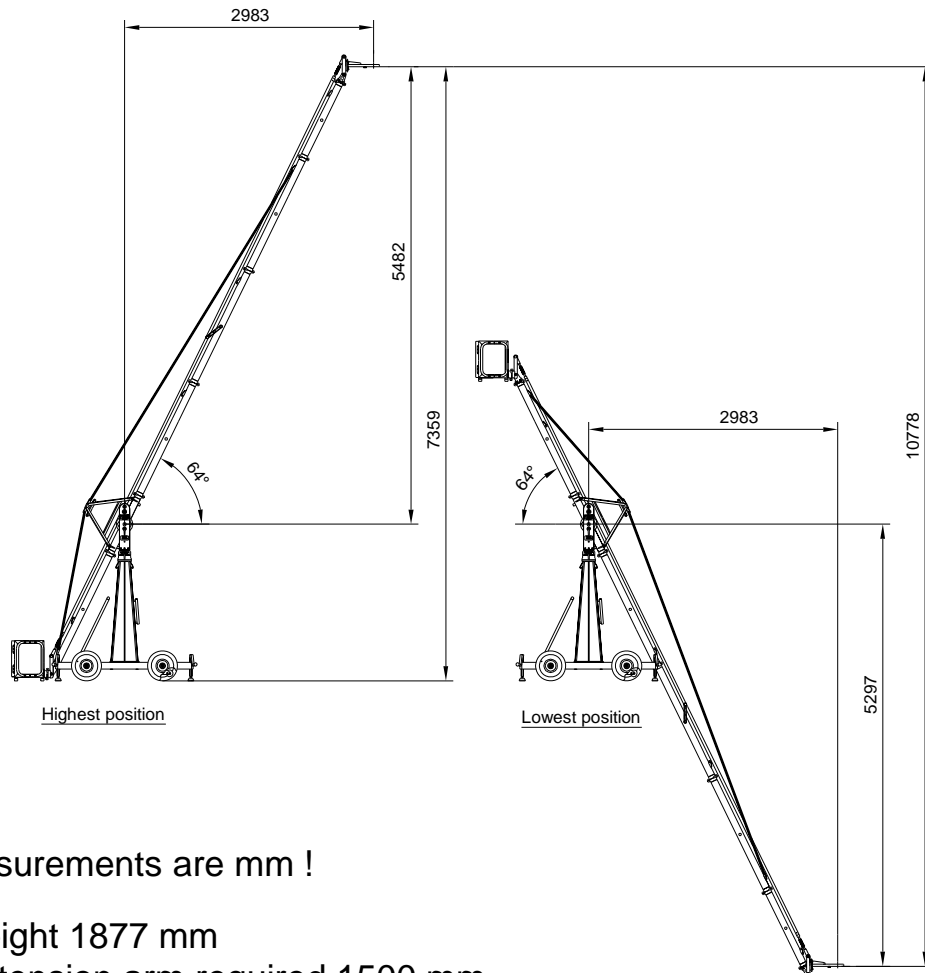
--



Horizontal position



Dolly (Dimensions are the same in all versions)



Highest position

Lowest position

All measurements are mm !

Pivot height 1877 mm

Rear extension arm required 1500 mm

Front extension arms required	3x1500 mm	Transport height of middle section, assembled	2127 mm
	1x1000 mm	Transport height of rigging harness assembled	ca.2393 mm
	--	Counterweight required to balance empty arm	3x14kg+1x8kg=50 kg
Rear extension arm required	1x 1500 mm	Max. lift capacity (Working load)	30 kg
Total lift range	10778 mm	Counterweight required vor max. load	10x14kg=140 kg
Maximum height	7359 mm		
Arm reach (pivot to camera head mount)	6351 mm	Dolly weight	112 kg
Length of rear end (pivot to outside of weight bucket)	2476 mm	Crane weight (excluding dolly and weights)	118 kg
Pivot height	1877 mm	Transport weight excluding counterweight	230 kg



GF-9 Specifications

Version 6/150 D

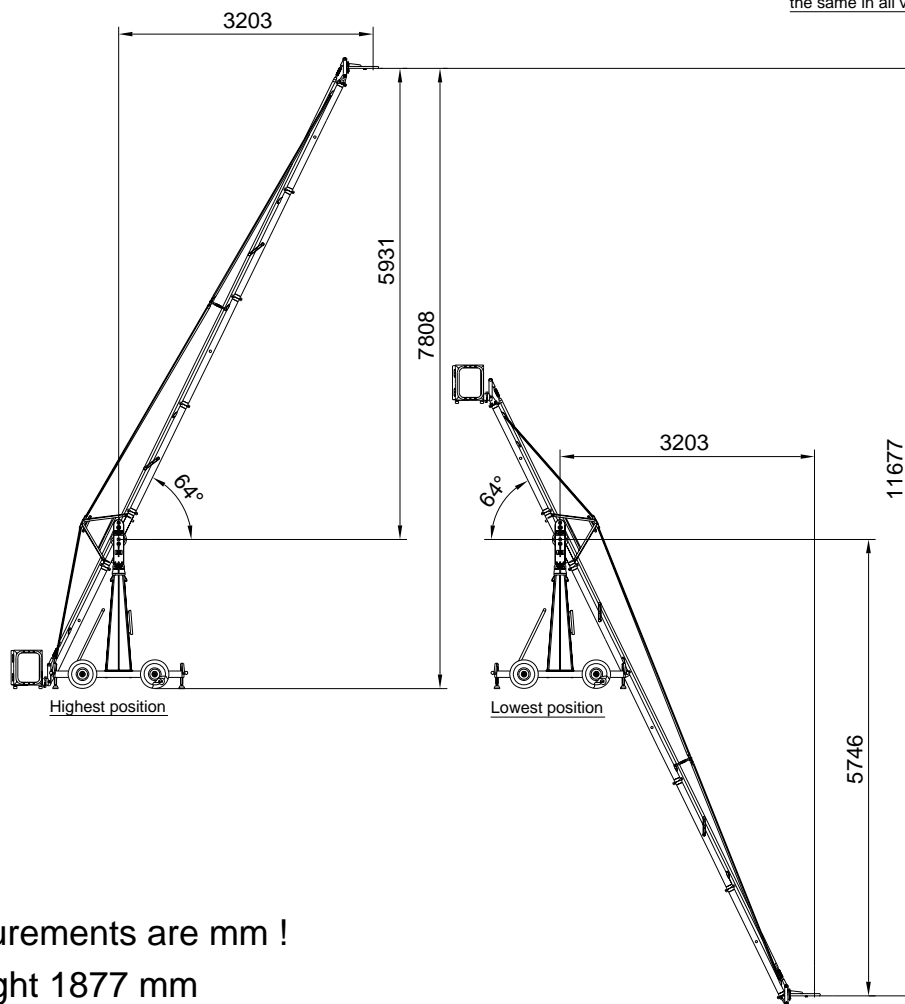
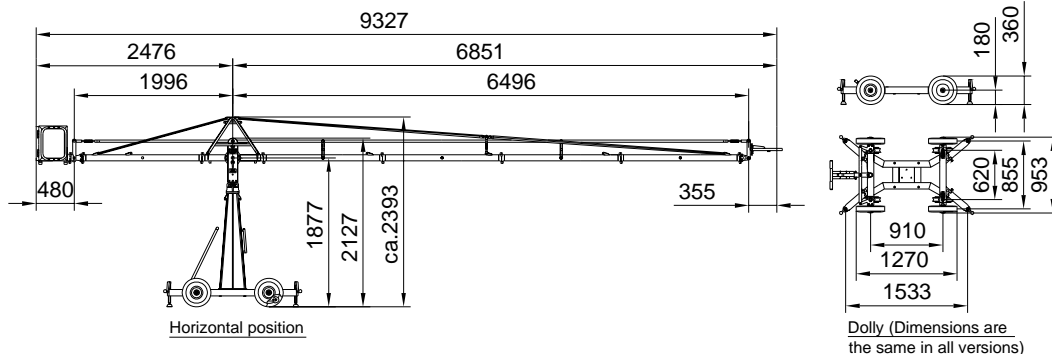
Datenblatt- Nr.:

D100-V6c-150-D

Name	Datum	Index	Datum	Name	
Erstellt	Trautwig	15.05.03	b	18.09.03	Trautwig
Geprüft			c	19.03.04	Trautwig

Zugehörige Zeichnungs-Nr.:

--



All measurements are mm !

Pivot height 1877 mm

Rear extension arm required 1500 mm

Front extension arms required	4x1500 mm	Transport height of middle section, assembled	2127 mm
	--	Transport height of rigging harness assembled	ca.2393 mm
	--	Counterweight required to balance empty arm	4x14kg+ 1x8kg=64kg
Rear extension arm required	1x 1500 mm	Max. lift capacity (Working load)	30 kg
Total lift range	11677 mm	Counterweight required vor max. load	14x14kg+ 1x8kg=204kg
Maximum height	7808 mm		
Arm reach (pivot to camera head mount)	6851 mm	Dolly weight	112 kg
Length of rear end (pivot to outside of weight bucket)	2476 mm	Crane weight (excluding dolly and weights)	122 kg
Pivot height	1877 mm	Transport weight excluding counterweight	234 kg



GF-9 Specifications

Version 7/150 D

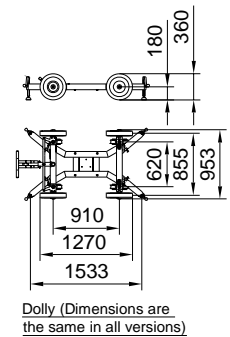
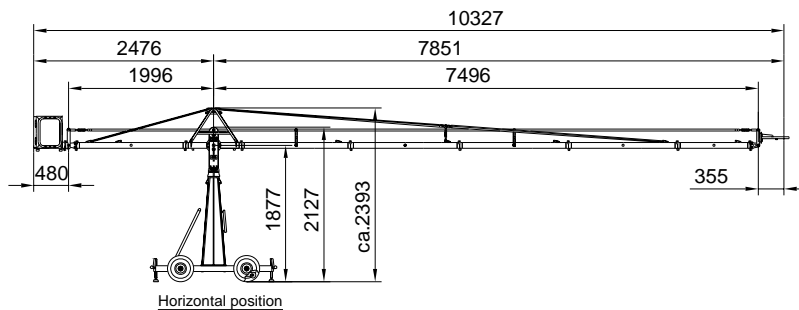
Datenblatt- Nr.:

D100-V7c-150-D

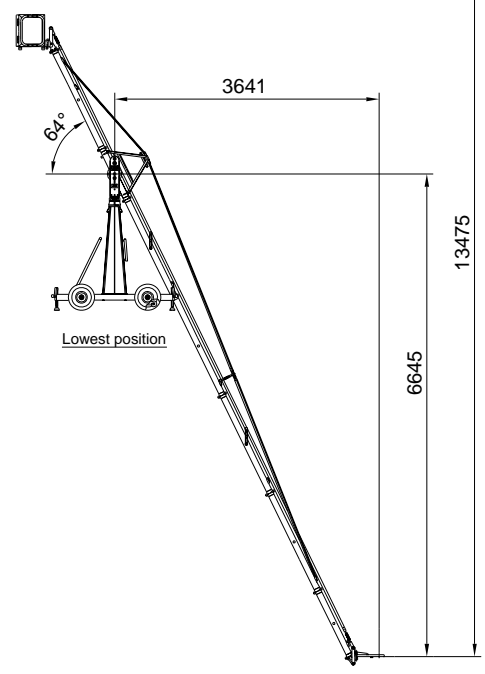
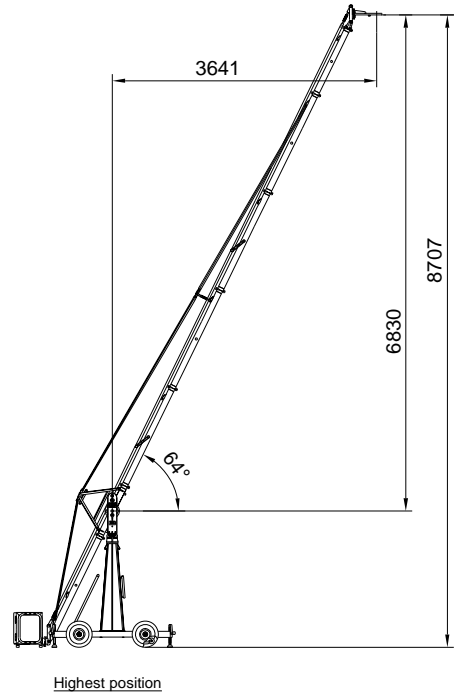
Name	Datum	Index	Datum	Name
Erstellt	Trautwig	15.05.03	b	22.03.04
Geprüft			c	13.04.05

Zugehörige Zeichnungs-Nr.:

--



Dolly (Dimensions are the same in all versions)



All measurements are mm !

Pivot height 1877 mm

Rear extension arm required 1500 mm

Front extension arms required	4x1500 mm	Transport height of middle section, assembled	2127 mm
	1x1000 mm	Transport height of rigging harness assembled	ca.2393 mm
	--	Counterweight required to balance empty arm	6x14kg=84kg
Rear extension arm required	1x 1500 mm	Max. lift capacity (Working load)	30 kg
Total lift range	13475 mm	Counterweight required vor max. load	16x14kg= 224 kg
Maximum height	8707 mm		
Arm reach (pivot to camera head mount)	7851 mm	Dolly weight	112 kg
Length of rear end (pivot to outside of weight bucket)	2476 mm	Crane weight (excluding dolly and weights)	128 kg
Pivot height	1877 mm	Transport weight excluding counterweight	240 kg



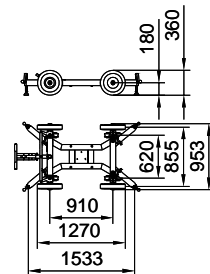
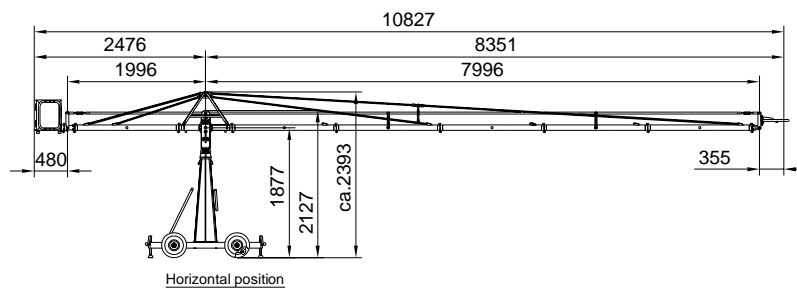
GF-9 Specifications

Version 8/150 D

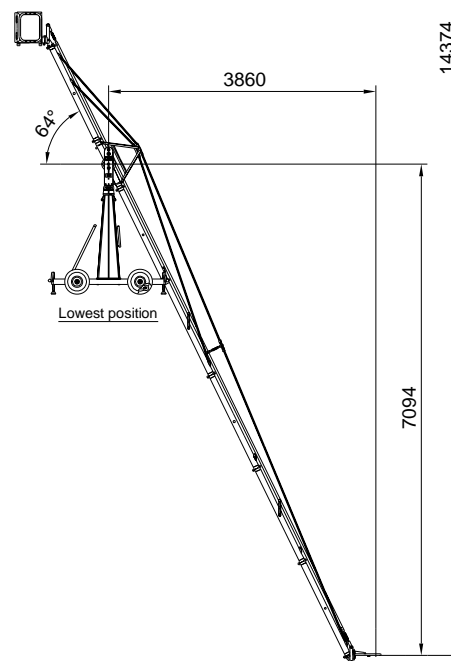
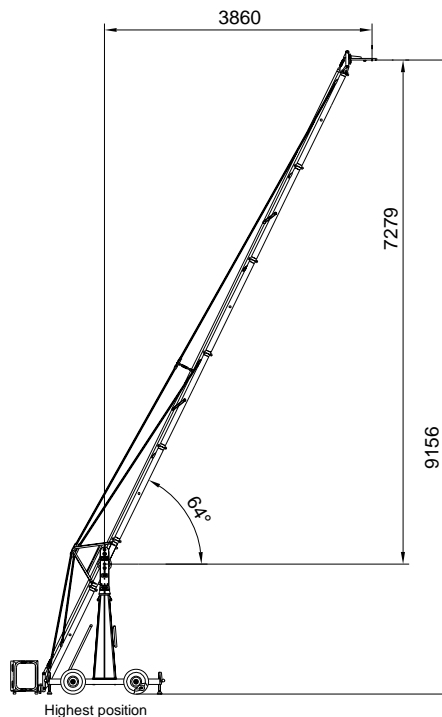
Datenblatt-Nr.: D140-V8e-150-D

Name	Datum	Index	Datum	Name
Erstellt	Trautwig	15.05.03	d	19.03.04
Geprüft			e	13.04.05

Zugehörige Zeichnungs-Nr.: --



Dolly (Dimensions are the same in all versions)



All measurements are mm !
 Pivot height 1877 mm
 Rear extension arm required 1500 mm

Front extension arms required	5x1500 mm	Transport height of middle section, assembled	2127 mm
	--	Transport height of rigging harness assembled	ca.2393 mm
	--	Counterweight required to balance empty arm	8x14kg=112kg
Rear extension arm required	1x 1500 mm	Max. lift capacity (Working load)	30kg
Total lift range	14374 mm	Counterweight required vor max. load	17x14kg=238kg
Maximum height	9156 mm		
Arm reach (pivot to camera head mount)	8351 mm	Dolly weight	112 kg
Length of rear end (pivot to outside of weight bucket)	2476 mm	Crane weight (excluding dolly and weights)	138 kg
Pivot height	1877 mm	Transport weight excluding counterweight	250 kg



GF-9 Specifications

Version 9/150 D

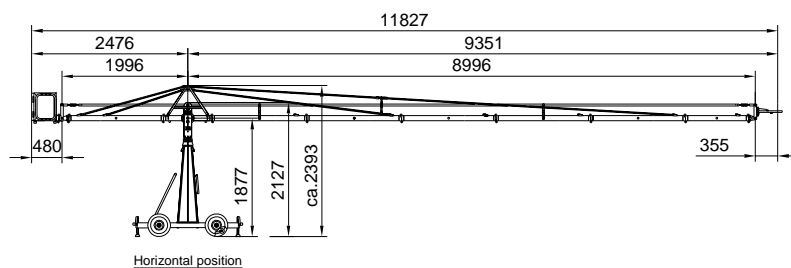
Datenblatt- Nr.:

D100-V9c-150-D

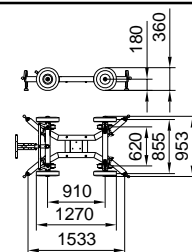
Name	Datum	Index	Datum	Name	
Erstellt	Trautwig	15.05.03	b	02.02.04	Trautwig
Geprüft			c	19.03.04	Trautwig

Zugehörige Zeichnungs-Nr.:

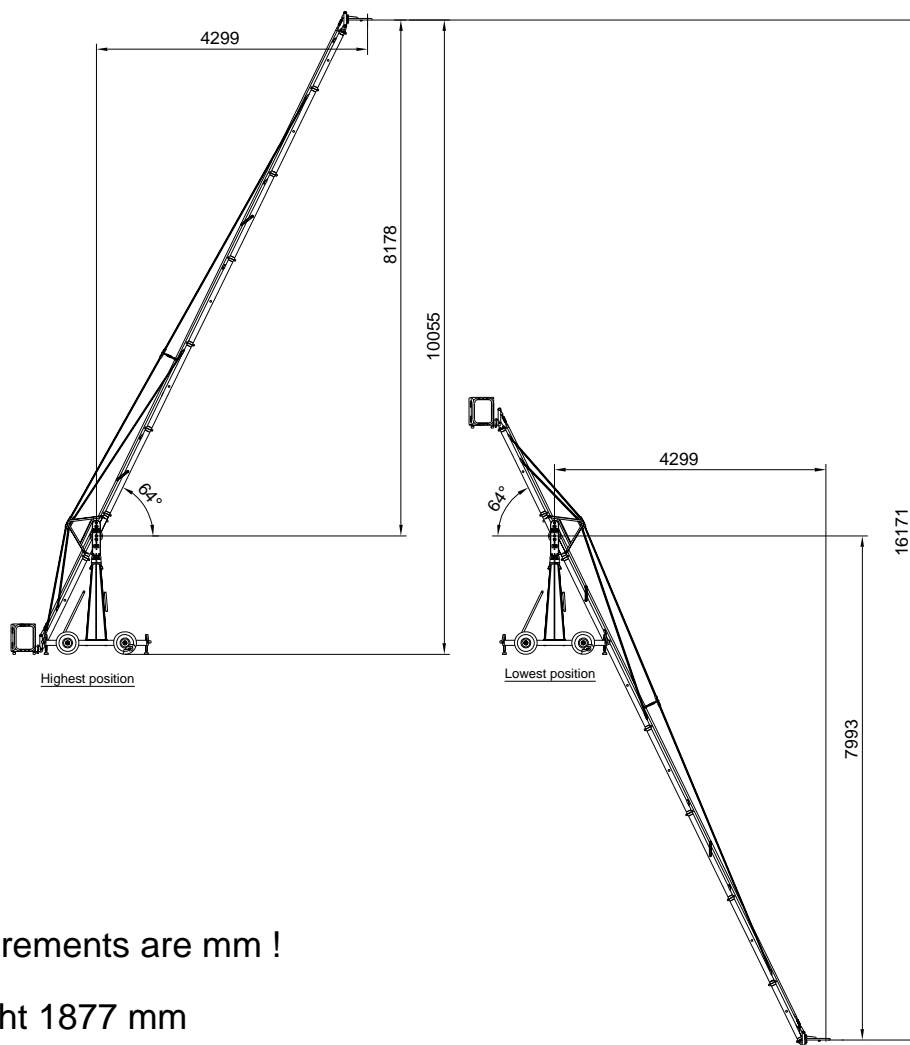
--



Horizontal position



Dolly (Dimensions are the same in all versions)



Highest position

Lowest position

All measurements are mm !

Pivot height 1877 mm

Rear extension arm required 1500 mm

Front extension arms required	5x1500 mm	Transport height of middle section, assembled	2127 mm
	1x1000 mm	Transport height of rigging harness assembled	ca.2393 mm
	--	Counterweight required to balance empty arm	10x14kg=140kg
Rear extension arm required	1x 1500 mm	Max. lift capacity (Working load)	25 kg
Total lift range	16171 mm	Counterweight required vor max. load	18x14kg=252 kg
Maximum height	10055 mm		
Arm reach (pivot to camera head mount)	9351 mm	Dolly weight	112 kg
Length of rear end (pivot to outside of weight bucket)	2476 mm	Crane weight (excluding dolly and weights)	143 kg
Pivot height	1877 mm	Transport weight excluding counterweight	255 kg



GF-9 Specifications

Version 10/150 D

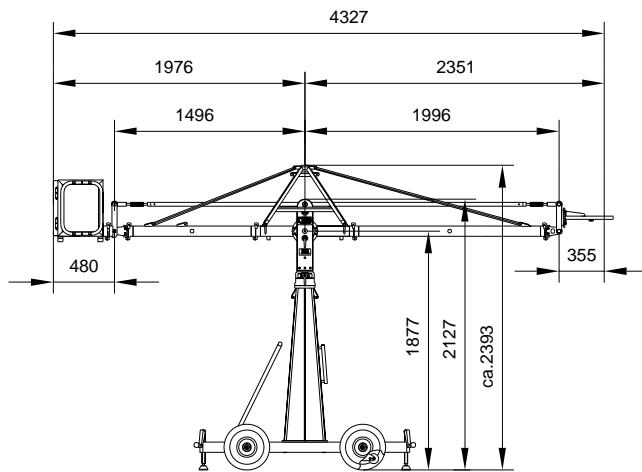
Datenblatt- Nr.:

D100-V10d-150-D

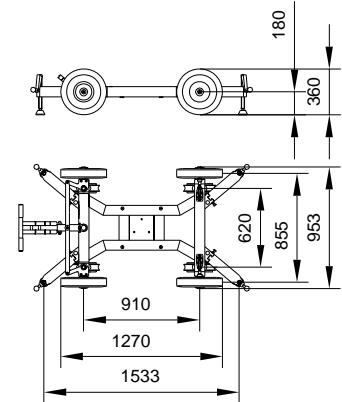
	Name	Datum	Index	Datum	Name
Erstellt	Trautwig	15.05.03	c	02.02.04	Trautwig
Geprüft			d	19.03.04	Trautwig

Zugehörige Zeichnungs-Nr.:

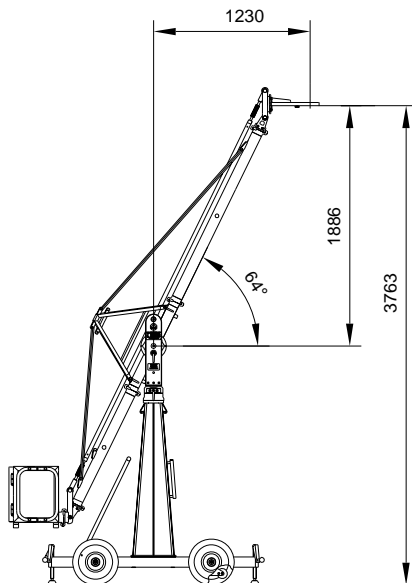
--



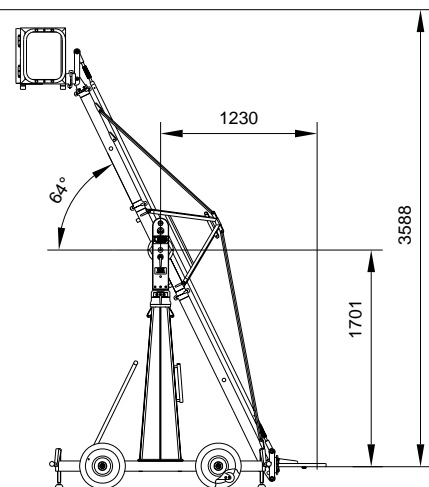
Horizontal position



Dolly (Dimensions are the same in all versions)



Highest position



Lowest position

Pivot height 1877 mm

Rear extension arm required 1000 mm

All measurements are mm !

Front extension arms required	1x1500 mm	Transport height of middle section, assembled	2127 mm
	--	Transport height of rigging harness assembled	ca.2393 mm
	--	Counterweight required to balance empty arm	--
Rear extension arm required	1x 1000 mm	Max. lift capacity (Working load)	45kg
Total lift range	3588 mm	Counterweight required vor max. load	4x14kg=56kg
Maximum height	3763 mm		
Arm reach (pivot to camera head mount)	2351 mm	Dolly weight	112 kg
Length of rear end (pivot to outside of weight bucket)	1976 mm	Crane weight (excluding dolly and weights)	88 kg
Pivot height	1877 mm	Transport weight excluding counterweight	200 kg



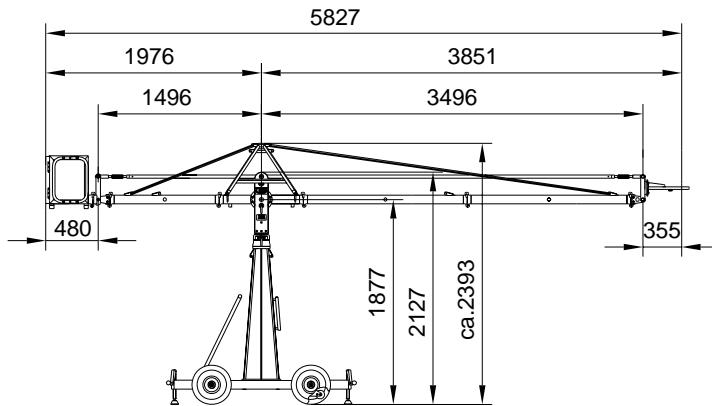
GF-9 Specifications

Version 1/100 D

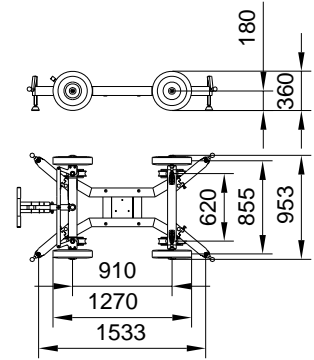
Datenblatt- Nr.:

D100-V1a-100-D

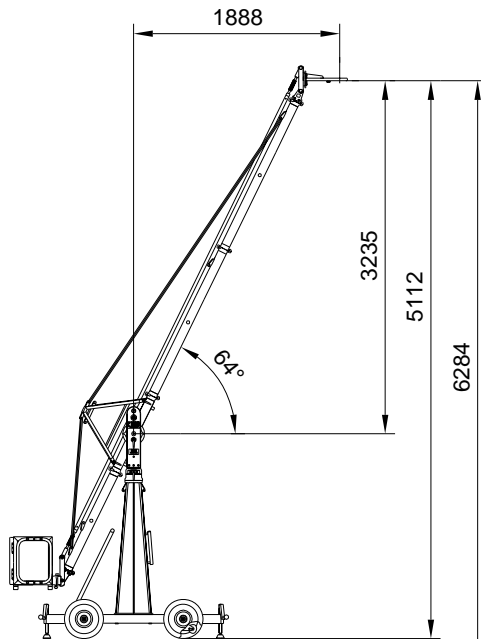
	Name	Datum	Index	Datum	Name	Zugehörige Zeichnungs-Nr.:
Erstellt	Trautwig	15.05.03	a	02.09.03	Trautwig	--
Geprüft						



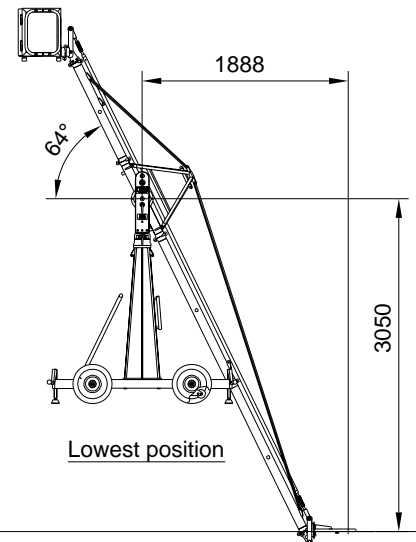
Horizontal position



Dolly (Dimensions are the same in all versions)



Highest position



Lowest position

Pivot height 1877 mm

Rear extension arm required 1000 mm

All measurements are mm !

Front extension arms required	2x1500 mm	Transport height of middle section, assembled	2127 mm
	--	Transport height of rigging harness assembled	ca.2393 mm
	--	Counterweight required to balance empty arm	1x14 kg+ 1x8kg=22 kg
Rear extension arm required	1x 1000 mm	Max. lift capacity (Working load)	45 kg
Total lift range	6284 mm	Counterweight required vor max. load	9x14 kg= 126 kg
Maximum height	5112 mm		
Arm reach (pivot to camera head mount)	3851 mm	Dolly weight	112 kg
Length of rear end (pivot to outside of weight bucket)	1976 mm	Crane weight (excluding dolly and weights)	98 kg
Pivot height	1877 mm	Transport weight excluding counterweight	210 kg



GF-9 Specifications

Version 3/100 D

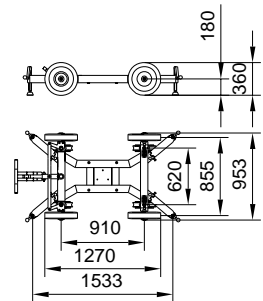
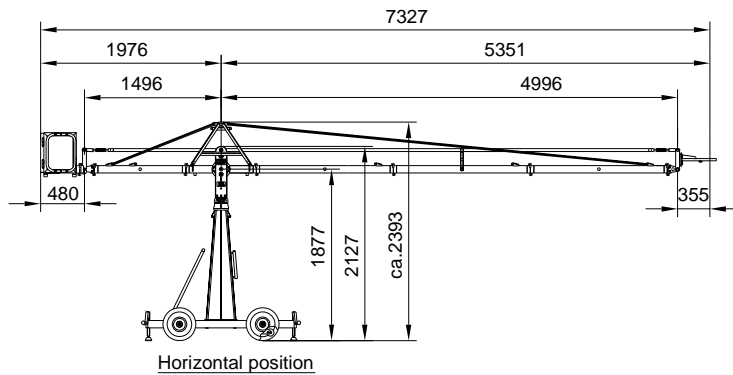
Datenblatt- Nr.:

D100-V3a-100-D

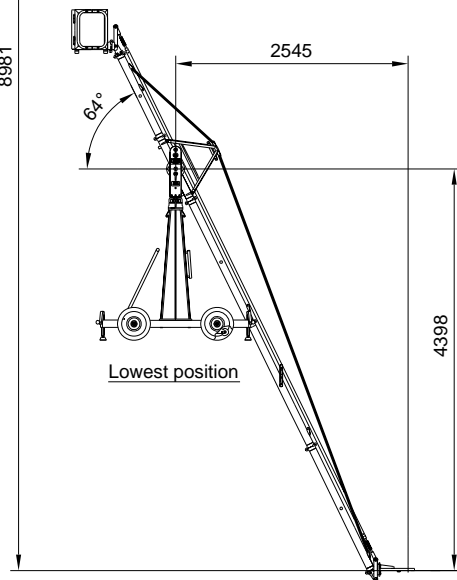
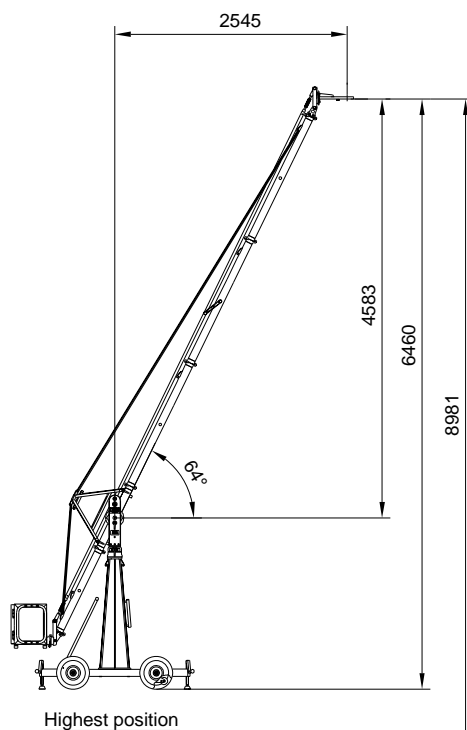
Name	Datum	Index	Datum	Name	
Erstellt	Trautwig	15.05.03	a	02.09.03	Trautwig
Geprüft					

Zugehörige Zeichnungs-Nr.:

--



Dolly (Dimensions are the same in all versions)



All measurements are mm !
 Pivot height 1877 mm
 Rear extension arm required 1000 mm

Front extension arms required	3x1500 mm	Transport height of middle section, assembled	2127 mm
	--	Transport height of rigging harness assembled	ca.2393 mm
	--	Counterweight required to balance empty arm	4x14kg=56 kg
Rear extension arm required	1x 1000 mm	Max. lift capacity (Working load)	30 kg
Total lift range	8981 mm	Counterweight required vor max. load	11x14kg= 154 kg
Maximum height	6460 mm		
Arm reach (pivot to camera head mount)	5351 mm	Dolly weight	112 kg
Length of rear end (pivot to outside of weight bucket)	1976 mm	Crane weight (excluding dolly and weights)	108 kg
Pivot height	1877 mm	Transport weight excluding counterweight	220 kg



GF-9 Specifications

Version 5/100 D

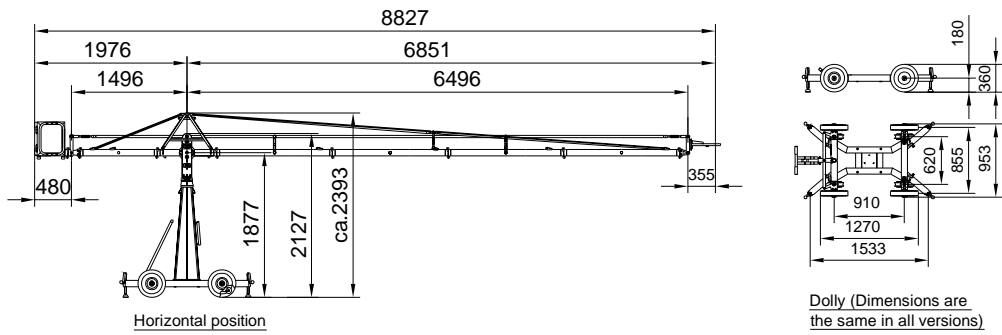
Datenblatt- Nr.:

D100-V5a-100-D

Name	Datum	Index	Datum	Name
Erstellt Trautwig	15.05.03	a	02.09.03	Trautwig
Geprüft				

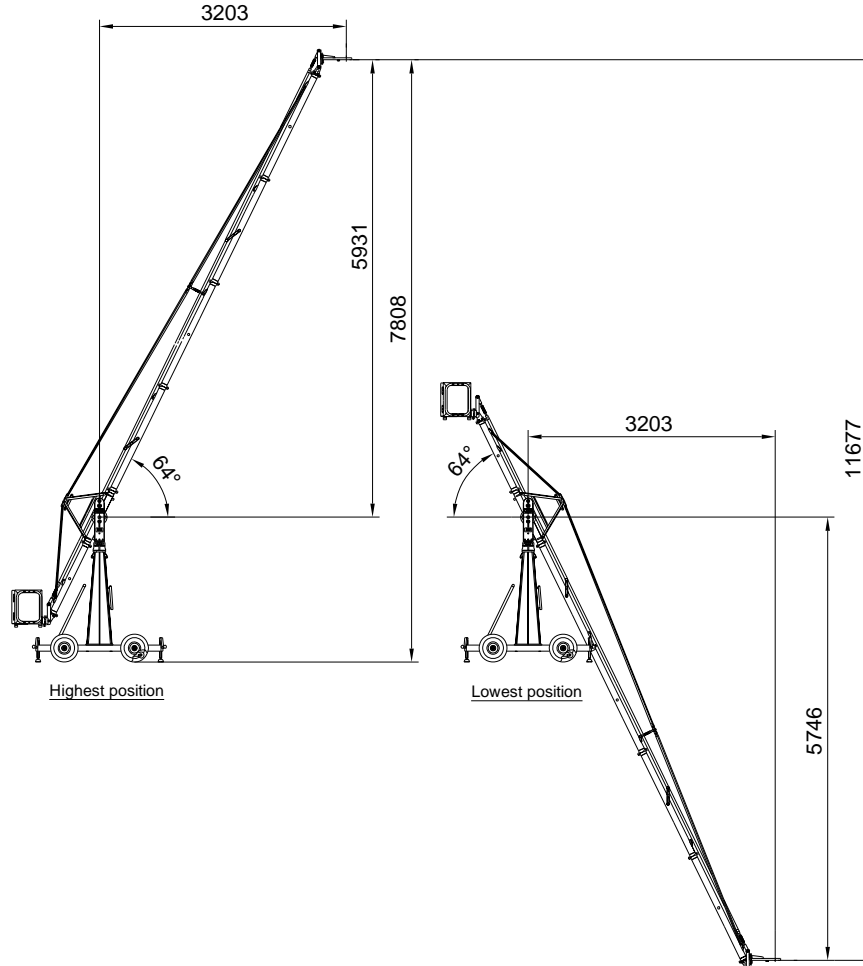
Zugehörige Zeichnungs-Nr.:

--



Horizontal position

Dolly (Dimensions are the same in all versions)



Highest position

Lowest position

Pivot height 1877 mm

Rear extension arm required 1000 mm

All measurements are mm !

Front extension arms required	4x1500 mm	Transport height of middle section, assembled	2127 mm
	--	Transport height of rigging harness assembled	ca.2393 mm
	--	Counterweight required to balance empty arm	7x14kg+ 1x8kg=106 kg
Rear extension arm required	1x 1000 mm	Max. lift capacity (Working load)	30 kg
Total lift range	11677 mm	Counterweight required vor max. load	17x14kg= 238 kg
Maximum height	7808 mm		
Arm reach (pivot to camera head mount)	6851 mm	Dolly weight	112 kg
Length of rear end (pivot to outside of weight bucket)	1976 mm	Crane weight (excluding dolly and weights)	119 kg
Pivot height	1877 mm	Transport weight excluding counterweight	231kg



GF-9 Specifications

Version 7/100 D

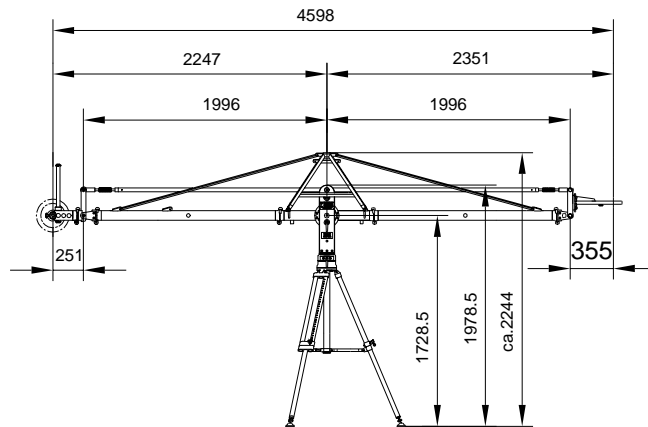
Datenblatt- Nr.:

D100-V7c-100-D

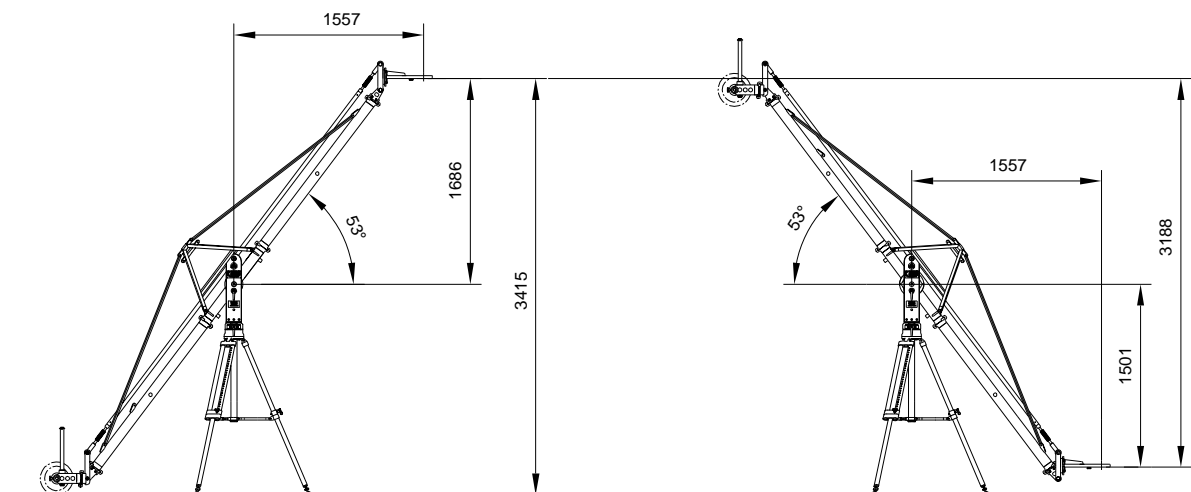
Name	Datum	Index	Datum	Name
Erstellt Trautwig	15.05.03	b	19.03.04	Trautwig
Geprüft		c	13.04.05	Trautwig

Zugehörige Zeichnungs-Nr.:

--



Horizontal position



Highest position

Lowest position

Pivot height 1729 mm

Rear extension arm required 1500 mm

All measurements are mm !

Front extension arms required	1x1500 mm	Transport height of middle section, assembled	1979 mm
	--	Transport height of rigging harness assembled	ca.2244 mm
	--	Counterweight required to balance empty arm	-
Rear extension arm required	1x 1500 mm	Max. lift capacity (Working load)	45 kg
Total lift range	3188 mm	Counterweight required vor max. load	42 kg
Maximum height	3415 mm		
Arm reach (pivot to camera head mount)	2351 mm	weight of tripod	16 kg
Length of rear end (pivot to weight rod)	2247 mm	Crane weight (excluding tripod and weights)	79 kg
Pivot height	1729 mm	Transport weight excluding counterweight	95 kg



GF-9 Specifications

Version 1/150 TG

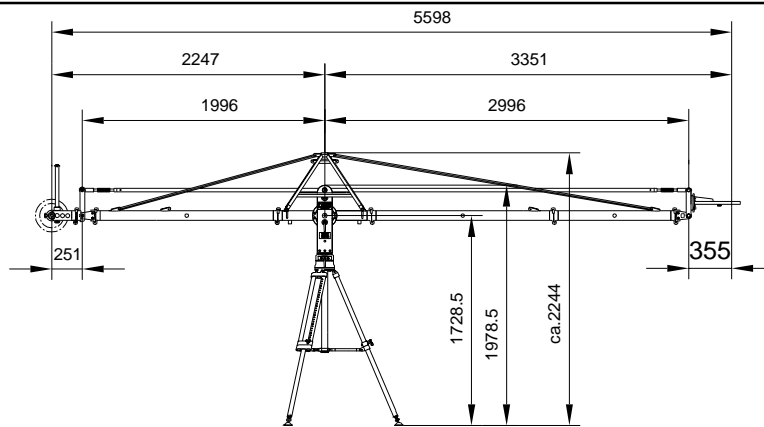
Datenblatt- Nr.:

D100-V1a-150-TG

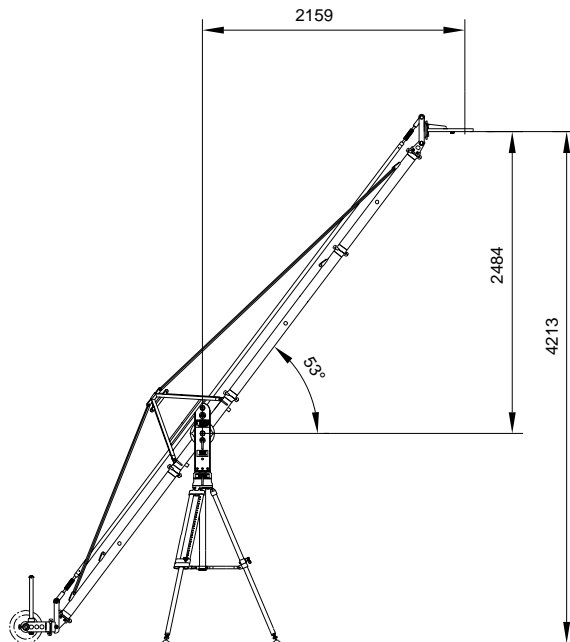
Name	Datum	Index	Datum	Name
Erstellt	Trautwig	19.05.03	a	02.09.03/Trautwig
Geprüft				

Zugehörige Zeichnungs-Nr.:

--



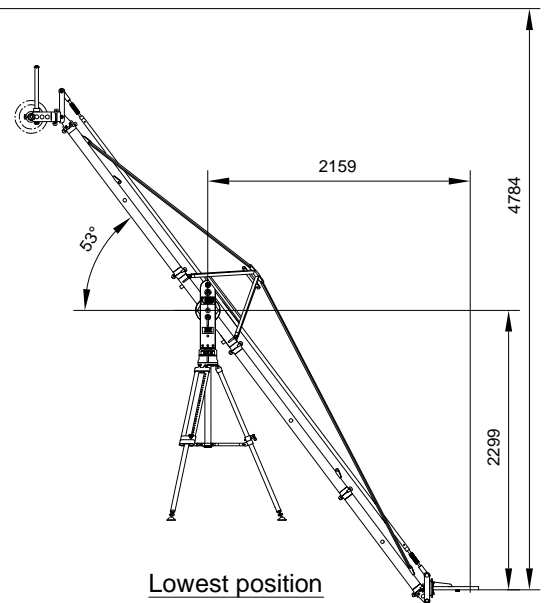
Horizontal position



Highest position

Pivot height 1729 mm

Rear extension arm required 1500 mm



Lowest position

All measurements are mm !

Front extension arms required	1x1500 mm	Transport height of middle section, assembled	1979 mm
	1x1000 mm	Transport height of rigging harness assembled	ca.2244 mm
	--	Counterweight required to balance empty arm	5 kg
Rear extension arm required	1x 1500 mm	Max. lift capacity (Working load)	45 kg
Total lift range	4213 mm	Counterweight required vor max. load	76 kg
Maximum height	4348 mm		
Arm reach (pivot to camera head mount)	3351 mm	weight of tripod	16 kg
Length of rear end (pivot to weight rod)	2247 mm	Crane weight (excluding tripod and weights)	85 kg
Pivot height	1729 mm	Transport weight excluding counterweight	101 kg



GF-9 Specifications

Version 2/150 TG

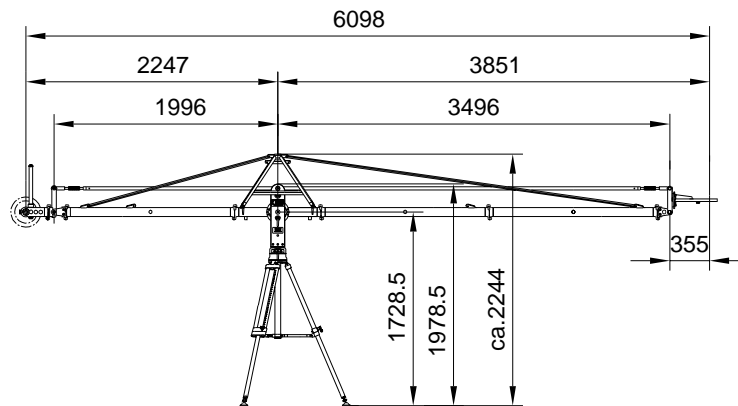
Datenblatt- Nr.:

D100-V2a-150-TG

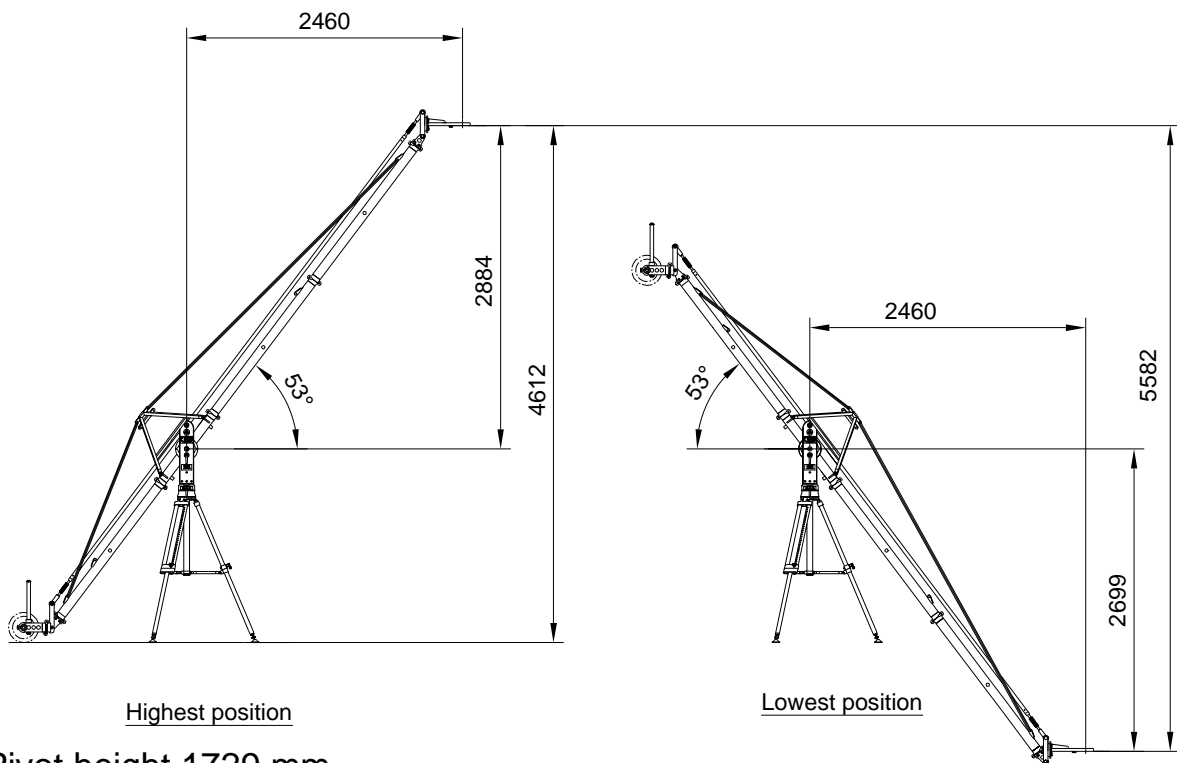
Erstellt	Name	Datum	Index	Datum	Name
Erstellt	Trautwig	19.05.03	a	02.09.03	Trautwig
Geprüft					

Zugehörige Zeichnungs-Nr.:

--



Horizontal position



Highest position

Lowest position

Pivot height 1729 mm

Rear extension arm required 1500 mm

All measurements are mm !

Front extension arms required	2x1500 mm	Transport height of middle section, assembled	1979 mm
	--	Transport height of rigging harness assembled	ca.2244 mm
	--	Counterweight required to balance empty arm	11 kg
Rear extension arm required	1x 1500 mm	Max. lift capacity (Working load)	45 kg
Total lift range	5582 mm	Counterweight required vor max. load	95 kg
Maximum height	4612 mm		
Arm reach (pivot to camera head mount)	3851 mm	weight of tripod	16 kg
Length of rear end (pivot to weight rod)	2247 mm	Crane weight (excluding tripod and weights)	88 kg
Pivot height	1729 mm	Transport weight excluding counterweight	104 kg



GF-9 Specifications

Version 3/150 TG

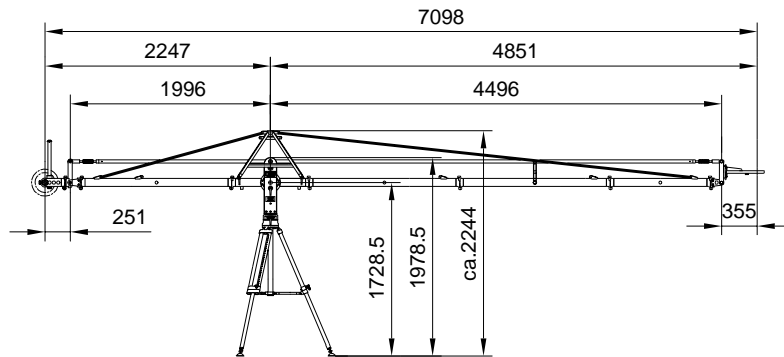
Datenblatt- Nr.:

D100-V3a-150-TG

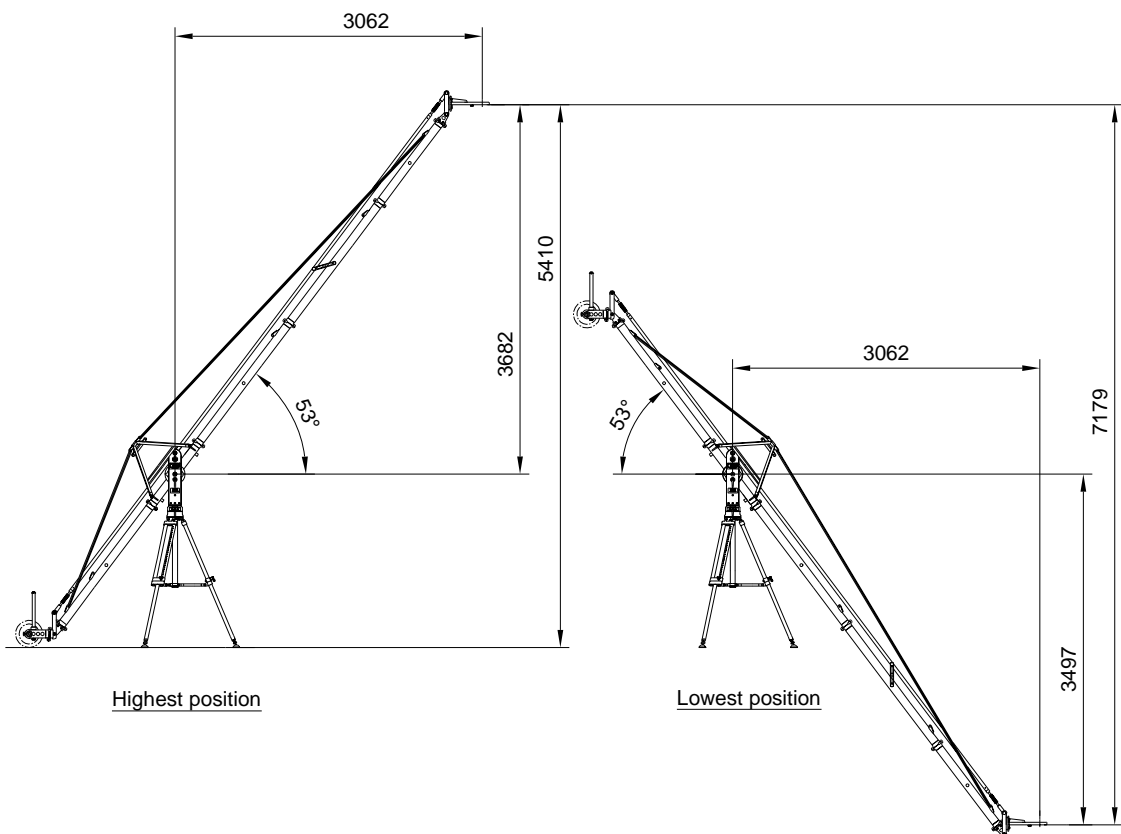
Name	Datum	Index	Datum	Name
Erstellt	Trautwig	19.05.03	a	02.09.03
Geprüft				

Zugehörige Zeichnungs-Nr.:

--



Horizontal position



Highest position

Lowest position

Pivot height 1729 mm

Rear extension arm required 1500 mm

All measurements are mm !

Front extension arms required	2x1500 mm	Transport height of middle section, assembled	1979 mm
	1x1000 mm	Transport height of rigging harness assembled	ca.2244 mm
	--	Counterweight required to balance empty arm	30 kg
Rear extension arm required	1x 1500 mm	Max. lift capacity (Working load)	45 kg
Total lift range	7179 mm	Counterweight required vor max. load	137 kg
Maximum height	5410 mm		
Arm reach (pivot to camera head mount)	4851 mm	weight of tripod	16 kg
Length of rear end (pivot to weight rod)	2247 mm	Crane weight (excluding tripod and weights)	95 kg
Pivot height	1729 mm	Transport weight excluding counterweight	111 kg



GF-9 Specifications

Version 4/150 TG

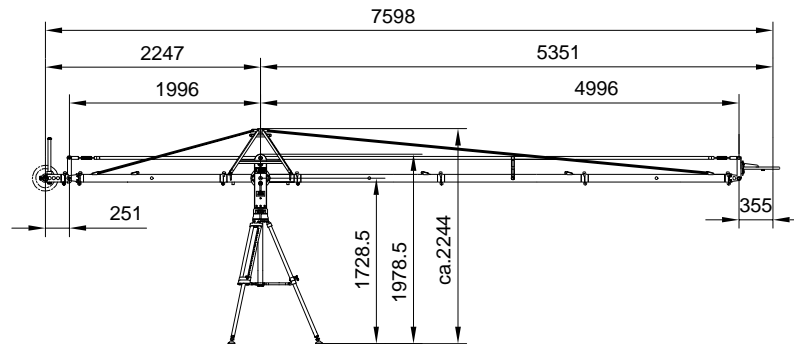
Datenblatt- Nr.:

D100-V4a-150-TG

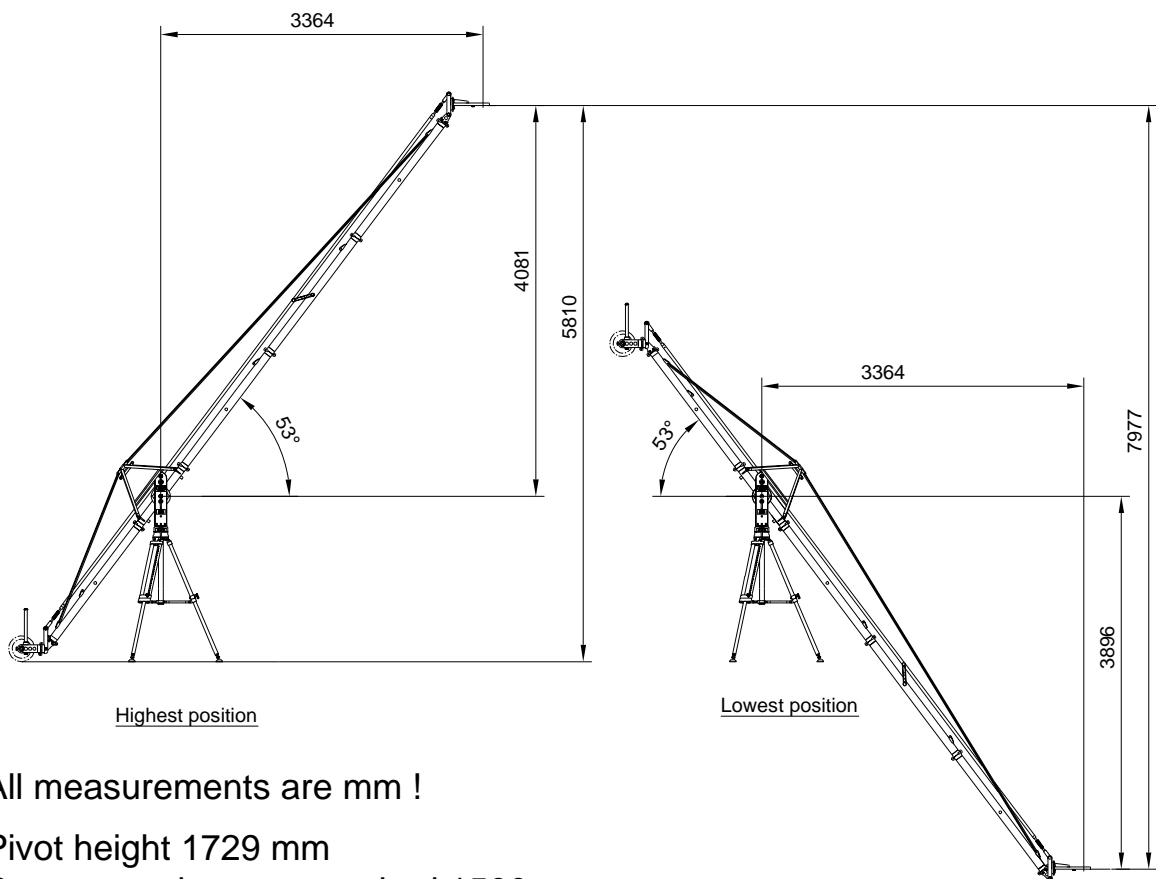
Name	Datum	Index	Datum	Name
Erstellt	Trautwig	19.05.03	a	02.09.03
Geprüft				

Zugehörige Zeichnungs-Nr.:

--



Horizontal position



Highest position

Lowest position

All measurements are mm !

Pivot height 1729 mm

Rear extension arm required 1500 mm

Front extension arms required	3x1500 mm	Transport height of middle section, assembled	1979 mm
	--	Transport height of rigging harness assembled	ca.2244 mm
	--	Counterweight required to balance empty arm	38 kg
Rear extension arm required	1x 1500 mm	Max. lift capacity (Working load)	30 kg
Total lift range	7977 mm	Counterweight required vor max. load	122 kg
Maximum height	5810 mm		
Arm reach (pivot to camera head mount)	5351 mm	weight of tripod	16 kg
Length of rear end (pivot to weight rod)	2247 mm	Crane weight (excluding tripod and weights)	99 kg
Pivot height	1729 mm	Transport weight excluding counterweight	115 kg



GF-9 Specifications

Version 5/150 TG

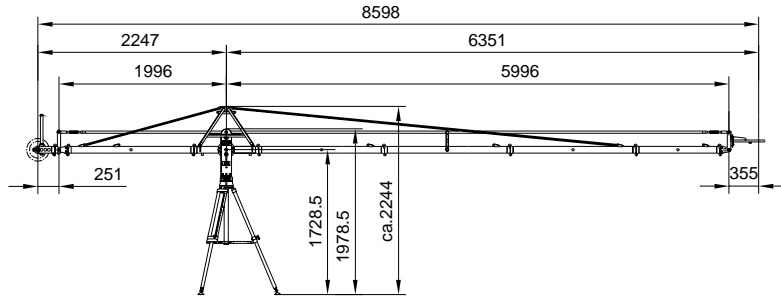
Datenblatt- Nr.:

D100-V5a-150-TG

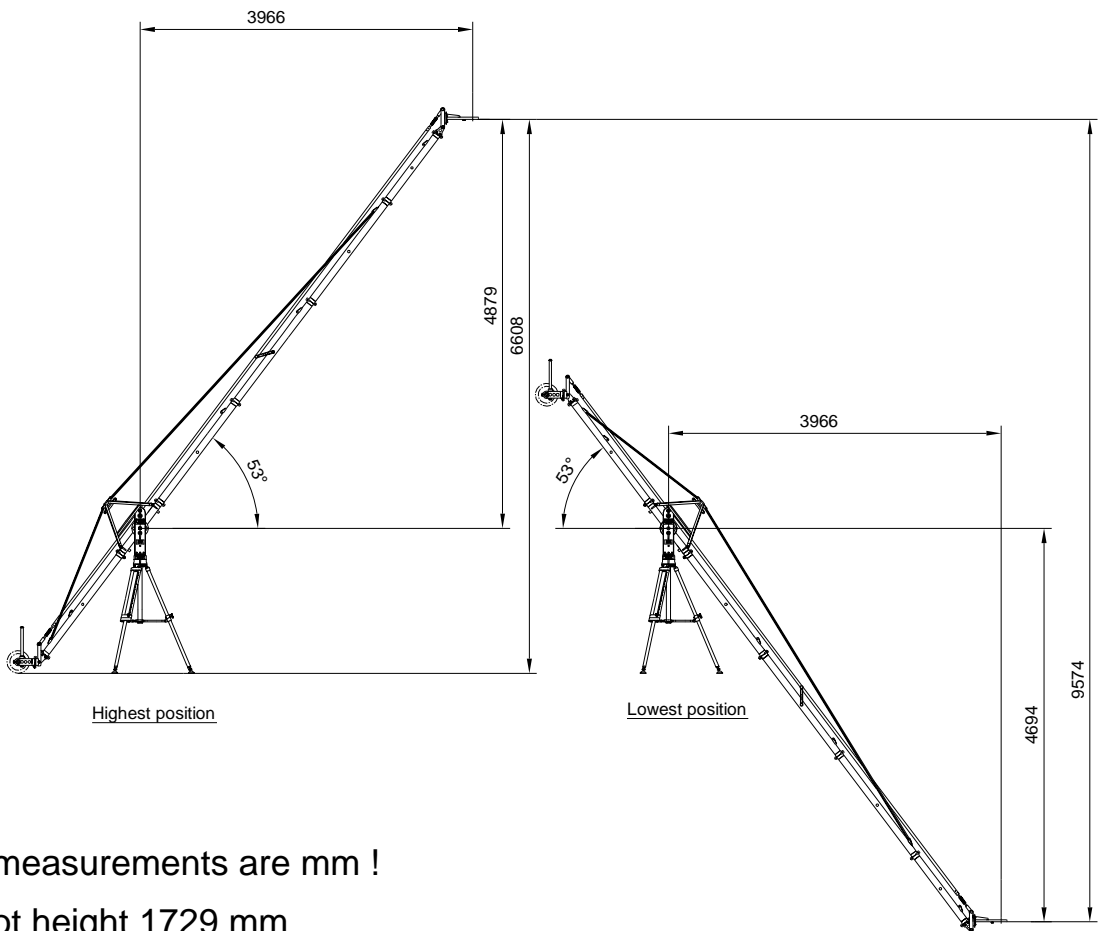
Name	Datum	Index	Datum	Name
Erstellt	Trautwig	19.05.03	a	02.09.03
Geprüft				

Zugehörige Zeichnungs-Nr.:

--



Horizontal position



Highest position

Lowest position

All measurements are mm !

Pivot height 1729 mm

Rear extension arm required 1500 mm

Front extension arms required	3x1500 mm	Transport height of middle section, assembled	1979 mm
	1x1000 mm	Transport height of rigging harness assembled	ca.2244 mm
	--	Counterweight required to balance empty arm	57 kg
Rear extension arm required	1x 1500 mm	Max. lift capacity (Working load)	30 kg
Total lift range	9574 mm	Counterweight required vor max. load	158 kg
Maximum height	6608 mm		
Arm reach (pivot to camera head mount)	6351 mm	weight of tripod	16 kg
Length of rear end (pivot to weight rod)	2247 mm	Crane weight (excluding tripod and weights)	105 kg
Pivot height	1729 mm	Transport weight excluding counterweight	121 kg



GF-9 Specifications

Version 6/150 TG

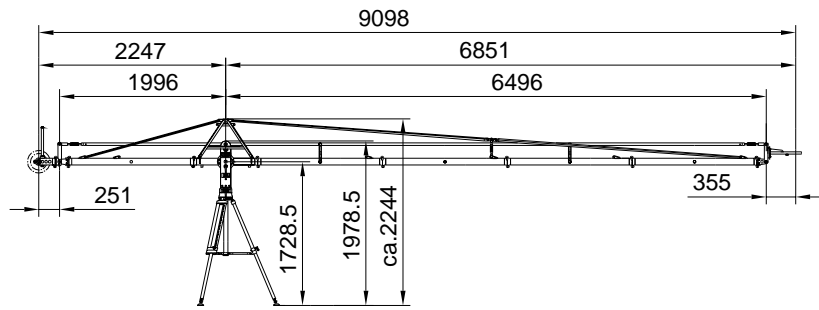
Datenblatt- Nr.:

D100-V6c-150-TG

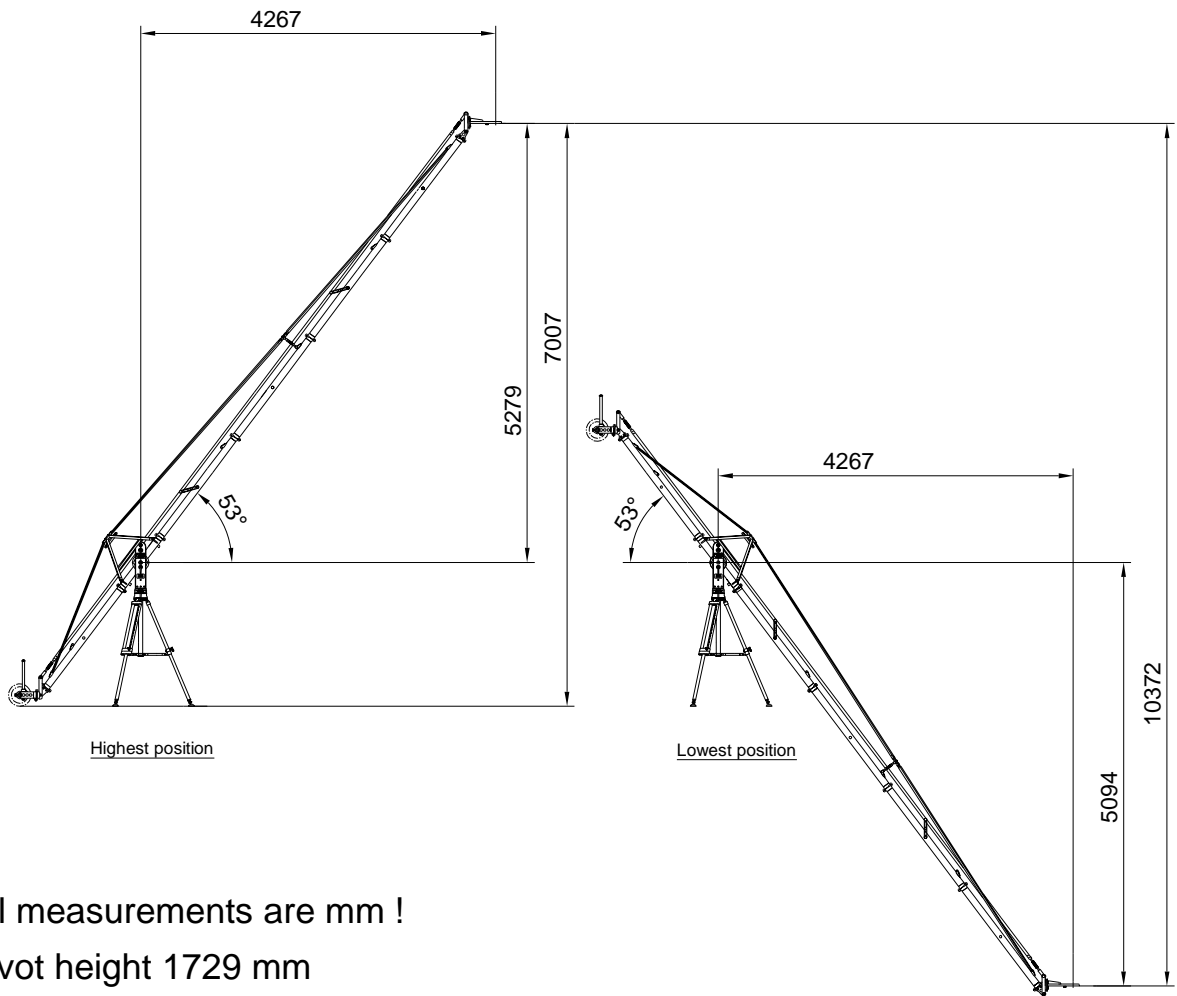
Name	Datum	Index	Datum	Name
Erstellt	Trautwig	19.05.03	b	18.09.03 Trautwig
Geprüft			c	22.03.04 Trautwig

Zugehörige Zeichnungs-Nr.:

--



Horizontal position



Highest position

Lowest position

All measurements are mm !

Pivot height 1729 mm

Rear extension arm required 1500 mm

Front extension arms required	4x1500 mm	Transport height of middle section, assembled	1979 mm
	--	Transport height of rigging harness assembled	ca.2244 mm
	--	Counterweight required to balance empty arm	75 kg
Rear extension arm required	1x 1500 mm	Max. lift capacity (Working load)	30 kg
Total lift range	10372 mm	Counterweight required vor max. load	183 kg
Maximum height	7007 mm		
Arm reach (pivot to camera head mount)	6851 mm	weight of tripod	16 kg
Length of rear end (pivot to weight rod)	2247 mm	Crane weight (excluding tripod and weights)	109 kg
Pivot height	1729 mm	Transport weight excluding counterweight	125 kg



GF-9 Specifications

Version 7/150 TG

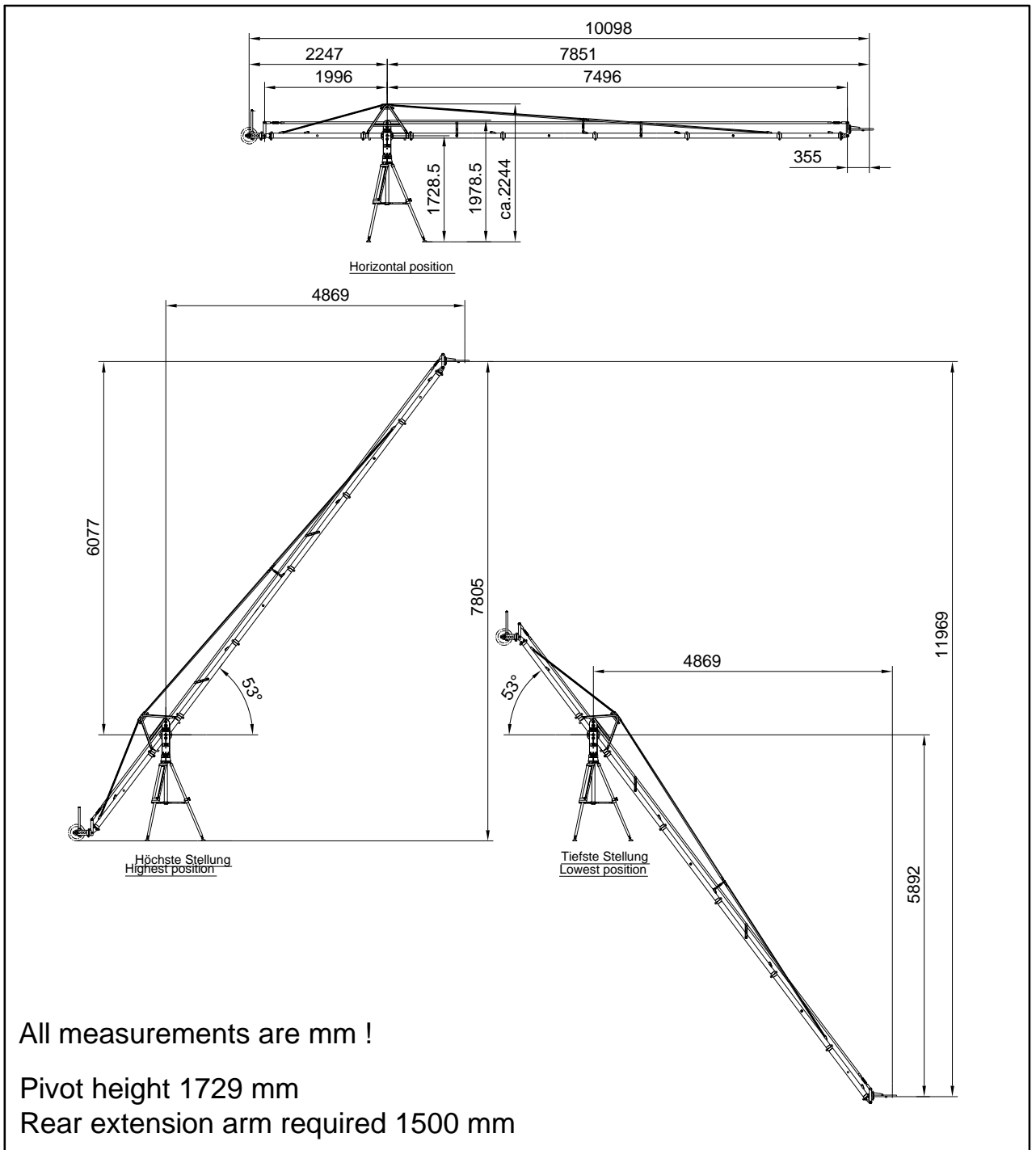
Datenblatt- Nr.:

D100-V7c-150-TG

Name	Datum	Index	Datum	Name	
Erstellt	Trautwig	19.05.03	b	22.03.04	Trautwig
Geprüft			c	13.04.05	Trautwig

Zugehörige Zeichnungs-Nr.:

--



All measurements are mm !

Pivot height 1729 mm

Rear extension arm required 1500 mm

Front extension arms required	4x1500 mm	Transport height of middle section, assembled	1979 mm
	1x1000 mm	Transport height of rigging harness assembled	ca.2244 mm
	--	Counterweight required to balance empty arm	100 kg
Rear extension arm required	1x 1500 mm	Max. lift capacity (Working load)	30 kg
Total lift range	11969 mm	Counterweight required vor max. load	227 kg
Maximum height	7805 mm		
Arm reach (pivot to camera head mount)	7851 mm	weight of tripod	16 kg
Length of rear end (pivot to weight rod)	2247 mm	Crane weight (excluding tripod and weights)	115 kg
Pivot height	1729 mm	Transport weight excluding counterweight	131 kg



GF-9 Specifications

Version 8/150 TG

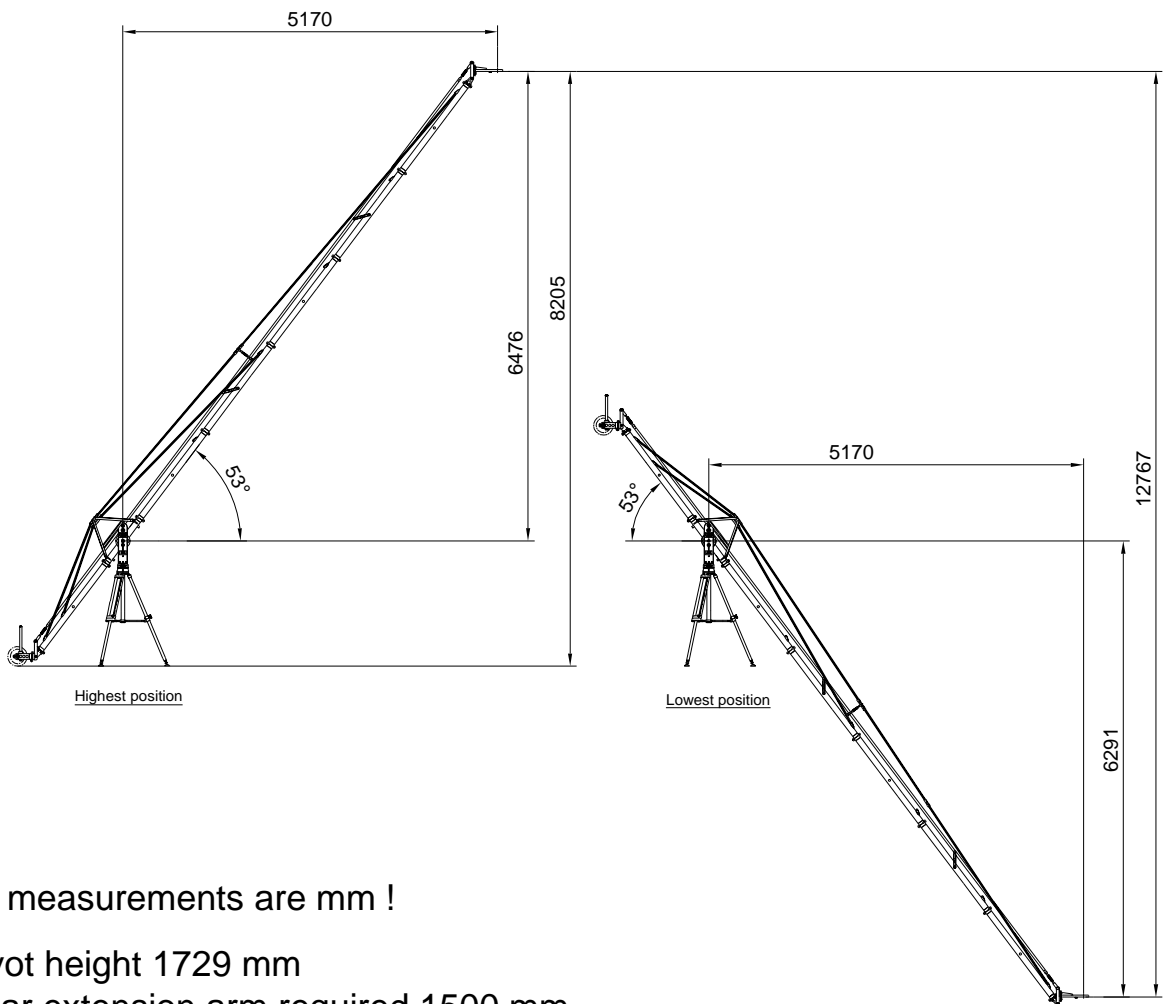
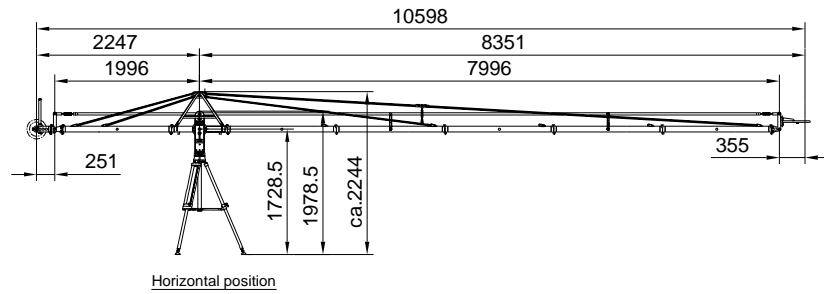
Datenblatt- Nr.:

D140-V8e-150-TG

	Name	Datum	Index	Datum	Name
Erstellt	Trautwig	19.05.03	d	22.03.04	Trautwig
Geprüft			e	13.04.05	Trautwig

Zugehörige Zeichnungs-Nr.:

--



All measurements are mm !

Pivot height 1729 mm

Rear extension arm required 1500 mm

Front extension arms required	5x1500 mm	Transport height of middle section, assembled	1979 mm
	--	Transport height of rigging harness assembled	ca.2244 mm
	--	Counterweight required to balance empty arm	115 kg
Rear extension arm required	1x 1500 mm	Max. lift capacity (Working load)	30 kg
Total lift range	12767 mm	Counterweight required vor max. load	247 kg
Maximum height	8205 mm		
Arm reach (pivot to camera head mount)	8351 mm	weight of tripod	16 kg
Length of rear end (pivot to weight rod)	2247 mm	Crane weight (excluding tripod and weights)	125 kg
Pivot height	1729 mm	Transport weight excluding counterweight	141 kg



GF-9 Specifications

Version 9/150 TG

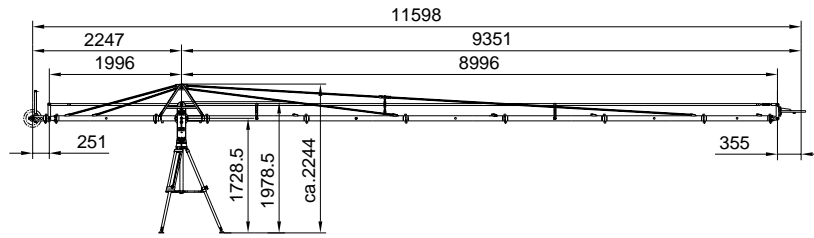
Datenblatt- Nr.:

D100-V9c-150-TG

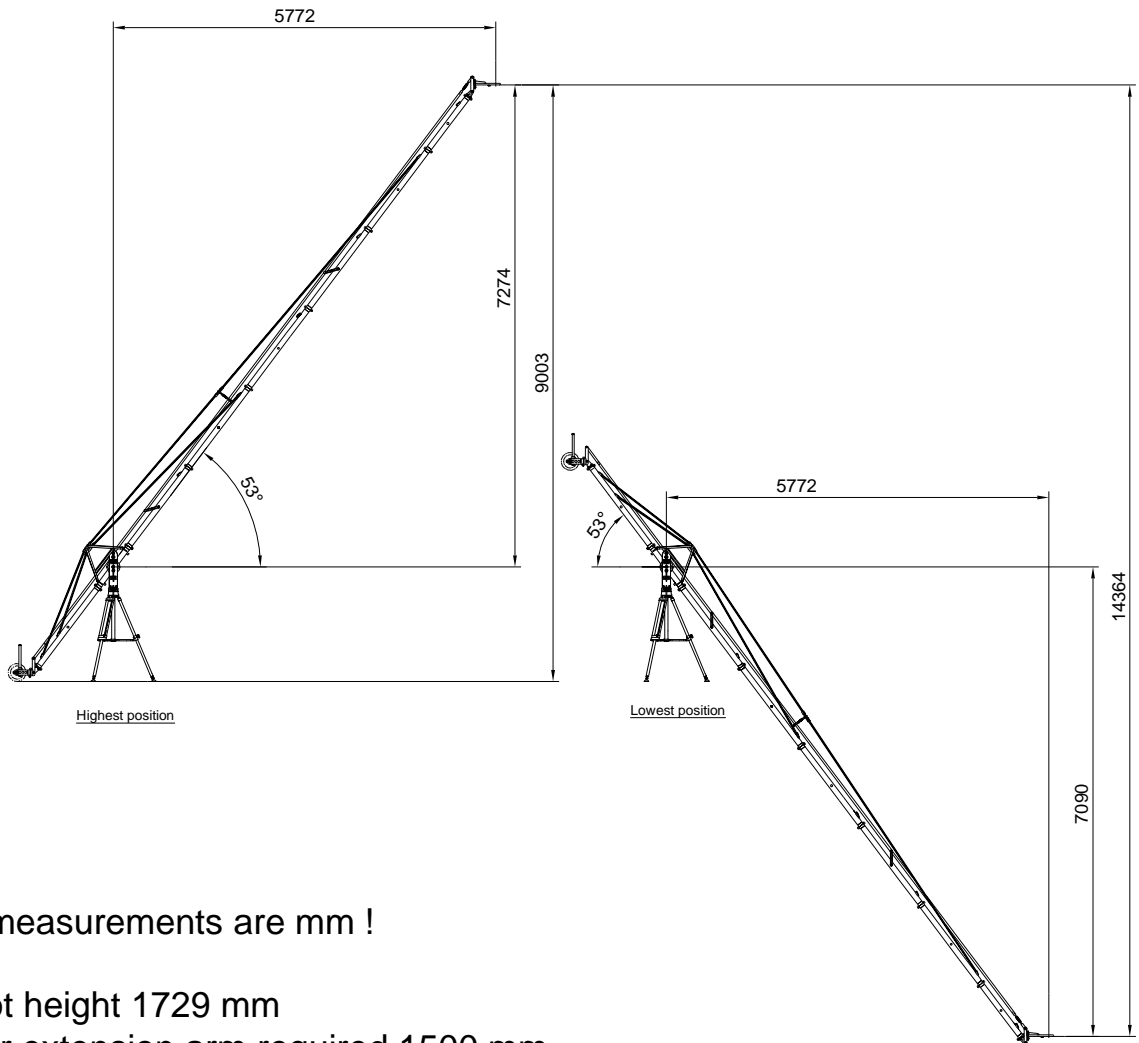
Name	Datum	Index	Datum	Name	
Erstellt	Trautwig	19.05.03	b	02.02.04	Trautwig
Geprüft			c	22.03.04	Trautwig

Zugehörige Zeichnungs-Nr.:

--



Horizontal position



Highest position

Lowest position

All measurements are mm !

Pivot height 1729 mm

Rear extension arm required 1500 mm

Front extension arms required	5x1500 mm	Transport height of middle section, assembled	1979 mm
	1x1000 mm	Transport height of rigging harness assembled	ca.2244 mm
	--	Counterweight required to balance empty arm	140 kg
Rear extension arm required	1x 1500 mm	Max. lift capacity (Working load)	25 kg
Total lift range	14364 mm	Counterweight required vor max. load	260 kg
Maximum height	9003 mm		
Arm reach (pivot to camera head mount)	9351 mm	weight of tripod	16 kg
Length of rear end (pivot to weight rod)	2247 mm	Crane weight (excluding tripod and weights)	130 kg
Pivot height	1729 mm	Transport weight excluding counterweight	146 kg



GF-9 Specifications

Version 10/150 TG

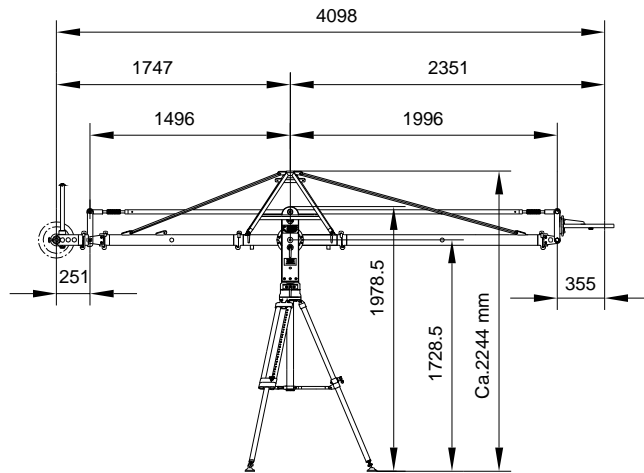
Datenblatt- Nr.:

D100-V10d-150-TG

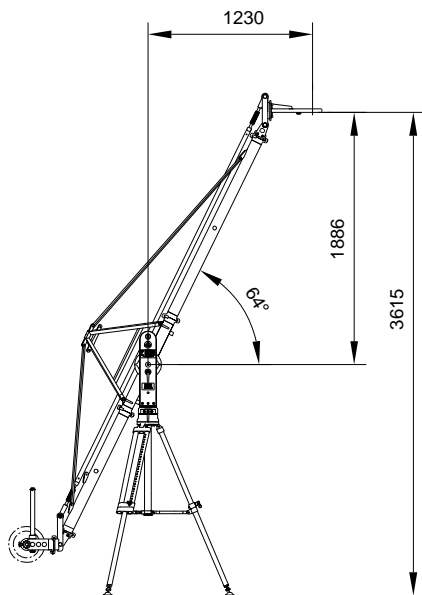
Name	Datum	Index	Datum	Name	
Erstellt	Trautwig	19.05.03	c	02.02.04	Trautwig
Geprüft			d	22.03.04	Trautwig

Zugehörige Zeichnungs-Nr.:

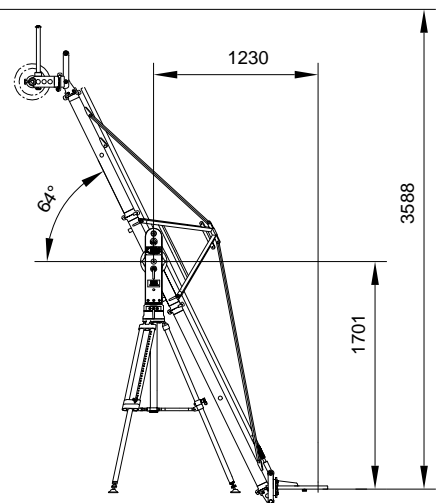
--



Horizontal position



Highest position



Lowest position

Pivot height 1729 mm

Rear extension arm required 1000 mm

All measurements are mm !

Front extension arms required	1x1500 mm	Transport height of middle section, assembled	1979 mm
	--	Transport height of rigging harness assembled	ca.2244 mm
	--	Counterweight required to balance empty arm	-
Rear extension arm required	1x 1000 mm	Max. lift capacity (Working load)	45 kg
Total lift range	3588 mm	Counterweight required vor max. load	63 kg
Maximum height	3615 mm		
Arm reach (pivot to camera head mount)	2351 mm	weight of tripod	16 kg
Length of rear end (pivot to weight rod)	1747 mm	Crane weight (excluding tripod and weights)	75 kg
Pivot height	1729 mm	Transport weight excluding counterweight	91 kg



GF-9 Specifications

Version 1/100 TG

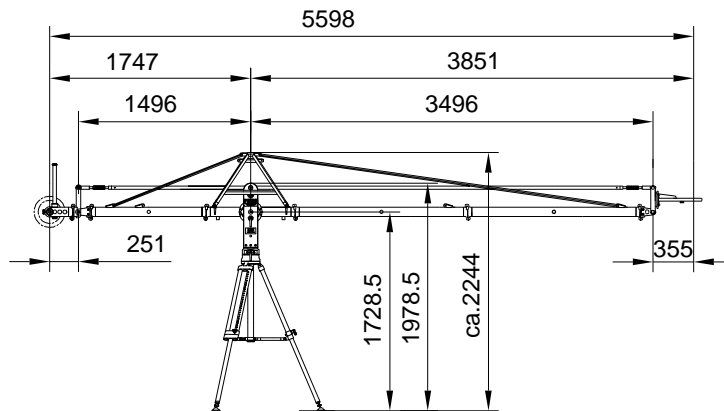
Datenblatt- Nr.:

D100-V1a-100-TG

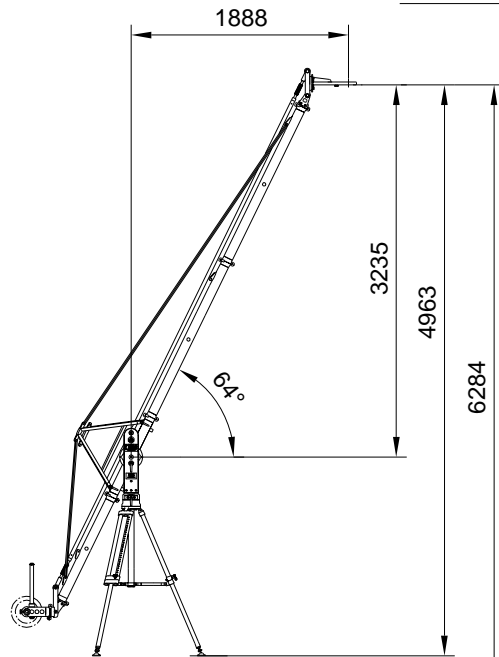
Name	Datum	Index	Datum	Name
Erstellt	Trautwig	15.05.03	a	02.09.03
Geprüft				

Zugehörige Zeichnungs-Nr.:

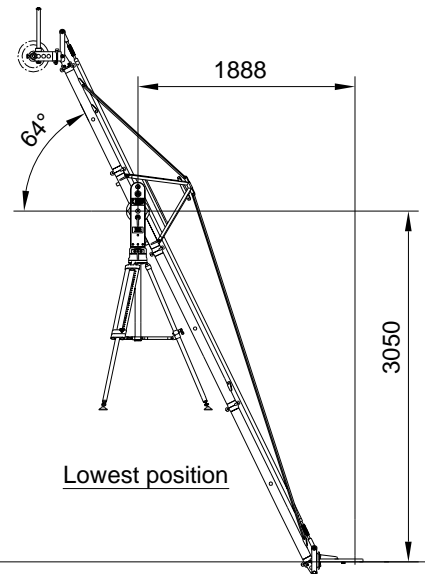
--



Horizontal position



Highest position



Lowest position

Pivot height 1729 mm

Rear extension arm required 1000 mm

All measurements are mm !

Front extension arms required	2x1500 mm	Transport height of middle section, assembled	1979 mm
	--	Transport height of rigging harness assembled	ca.2244 mm
	--	Counterweight required to balance empty arm	24 kg
Rear extension arm required	1x 1000 mm	Max. lift capacity (Working load)	45 kg
Total lift range	6284 mm	Counterweight required vor max. load	135 kg
Maximum height	4963 mm		
Arm reach (pivot to camera head mount)	3851 mm	weight of tripod	16 kg
Length of rear end (pivot to weight rod)	1747 mm	Crane weight (excluding tripod and weights)	85 kg
Pivot height	1729 mm	Transport weight excluding counterweight	101 kg



GF-9 Specifications

Version 3/100 TG

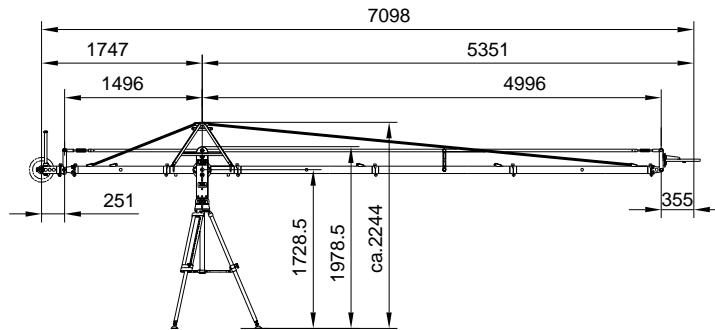
Datenblatt- Nr.:

D100-V3a-100-TG

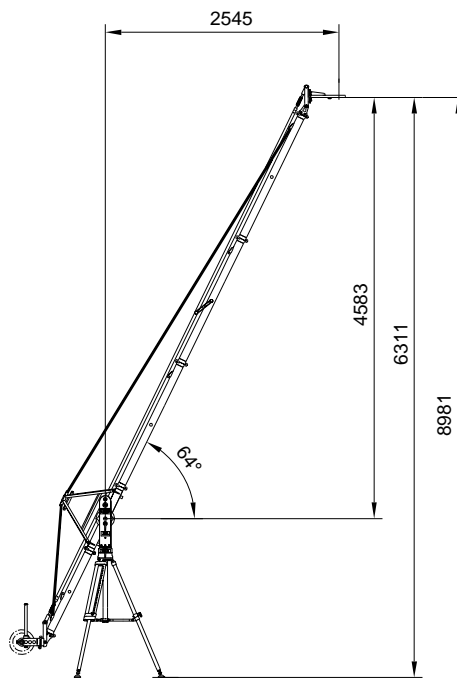
Name	Datum	Index	Datum	Name
Erstellt	Trautwig	19.05.03	a	02.09.03
Geprüft				

Zugehörige Zeichnungs-Nr.:

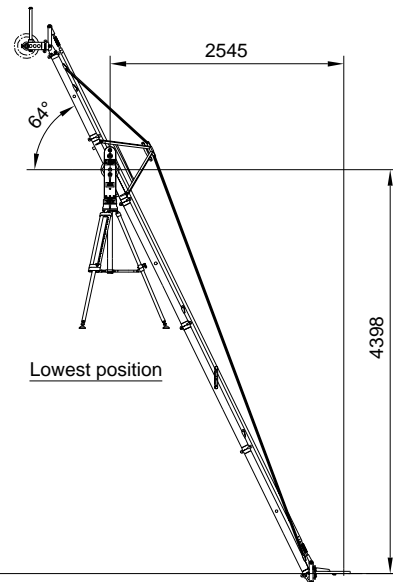
--



Horizontal position



Highest position



Lowest position

All measurements are mm !
 Pivot height 1729 mm
 Rear extension arm required 1000 mm

Front extension arms required	3x1500 mm	Transport height of middle section, assembled	1979 mm
	--	Transport height of rigging harness assembled	ca.2244 mm
	--	Counterweight required to balance empty arm	58 kg
Rear extension arm required	1x 1000 mm	Max. lift capacity (Working load)	30 kg
Total lift range	8981 mm	Counterweight required vor max. load	172 kg
Maximum height	6311 mm		
Arm reach (pivot to camera head mount)	5351 mm	weight of tripod	16 kg
Length of rear end (pivot to weight rod)	1747 mm	Crane weight (excluding tripod and weights)	95 kg
Pivot height	1729 mm	Transport weight excluding counterweight	111 kg



GF-9 Specifications

Version 5/100 TG

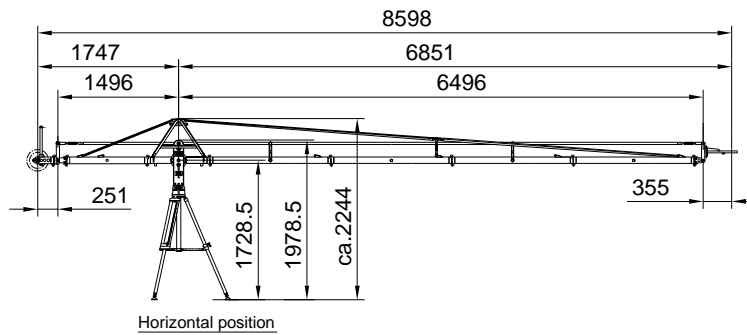
Datenblatt- Nr.:

D100-V5a-100-TG

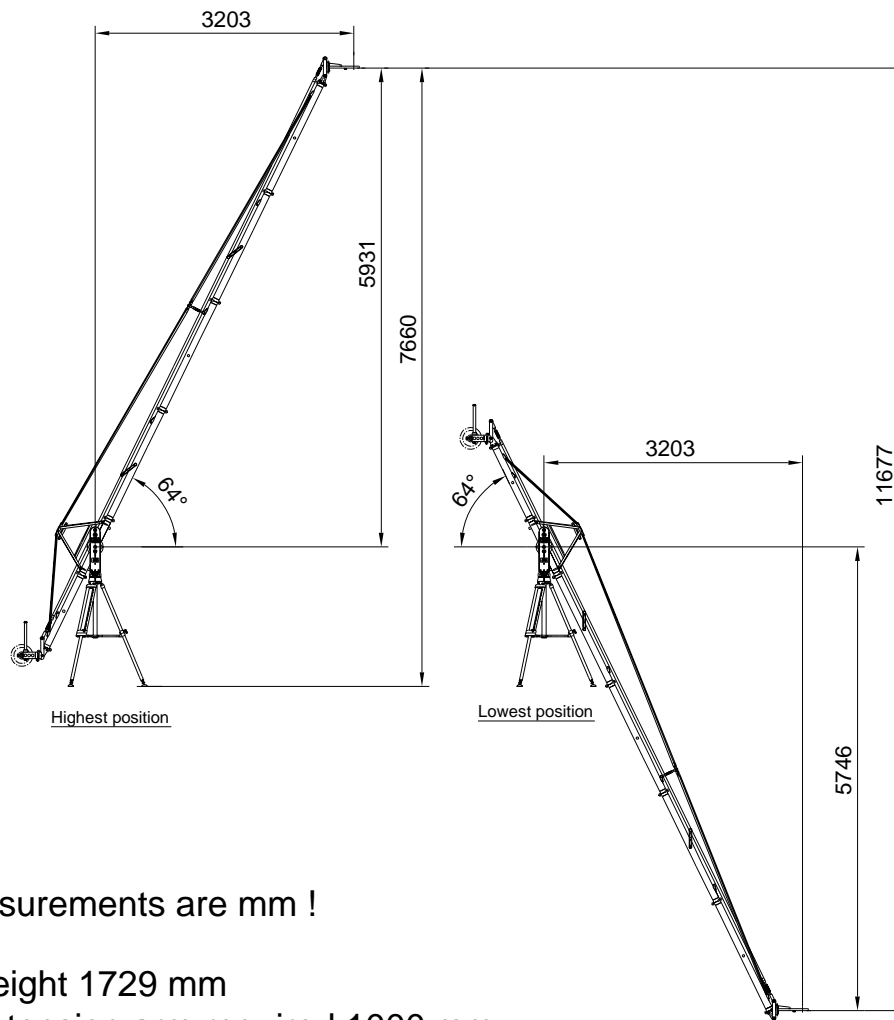
Name	Datum	Index	Datum	Name	
Erstellt	Trautwig	19.05.03	a	02.09.03	Trautwig
Geprüft					

Zugehörige Zeichnungs-Nr.:

--



Horizontal position



Highest position

Lowest position

All measurements are mm !

Pivot height 1729 mm

Rear extension arm required 1000 mm

Front extension arms required	4x1500 mm	Transport height of middle section, assembled	1979 mm
	--	Transport height of rigging harness assembled	ca.2244 mm
	--	Counterweight required to balance empty arm	105 kg
Rear extension arm required	1x 1000 mm	Max. lift capacity (Working load)	30 kg
Total lift range	11677 mm	Counterweight required vor max. load	251 kg
Maximum height	7660 mm		
Arm reach (pivot to camera head mount)	6851 mm	weight of tripod	16 kg
Length of rear end (pivot to weight rod)	1747 mm	Crane weight (excluding tripod and weights)	106 kg
Pivot height	1729 mm	Transport weight excluding counterweight	122 kg



GF-9 Specifications

Version 7/100 TG

Datenblatt- Nr.:

D100-V7c-100-TG

Name	Datum	Index	Datum	Name	
Erstellt	Trautwig	19.05.03	b	19.03.04	Trautwig
Geprüft			c	13.04.05	Trautwig

Zugehörige Zeichnungs-Nr.:

--