



GF-8 Xten

Features

- Platform operation: 1 pers. = 7.3 m / 24'
2 pers. = 5.6 m / 18' 6"
- Remote operation: 50 kg / 110 lbs = 10.5 m / 34' 6"
80 kg / 175 lbs = 8.7 m / 28' 6"
- Base doubles as Western or Track Dolly
- Interchangeable extensions available in 1.6, 3, 4, 5, 5.3 ft (40, 100, 127, 150, 160 cm) lengths
- No numerical set-up procedure
- No dedicated front or back
- Extension arm system allows for combination of any arm to the other
- Modular rigging assembly
- Fast and easy set-up
- Lightweight parts
- Extremely stable arm
- Surface hardened finish (Hart Coat®)
- TÜV Certified



GF-8 Xten

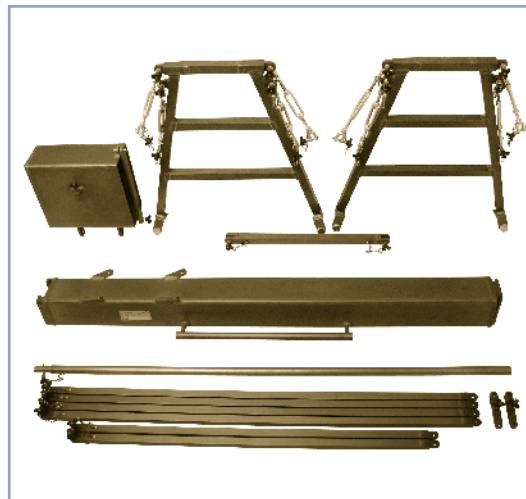
The extremely popular GF-8 Crane System can, at any time, be extended to a remote head height of 10.5 m / 34' 6" (50 kg / 110 lbs payload) and a platform height of 7.3 m / 24'.

This completely modular extension kit is called the GF-8 Xten.

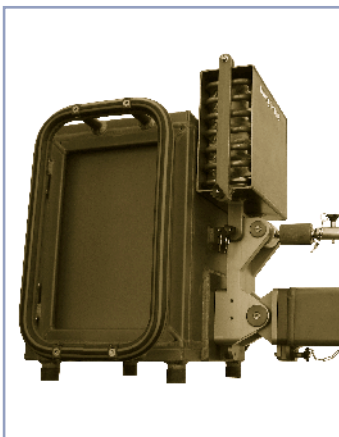
Without infringing on any aspect of safety or handling, specific emphasis was given to keeping the overall weight and size to a minimum. Even in the longest version, only 602 kg / 1324 lbs of counterweight is required.

Ensuring the stability of the GF-8 Xten is a double rigging system. The still compact rigging harness is only slightly higher and wider than the GF-8's. The same rigging rods are used, keeping the cost of the extension kit to a minimum as only a few additional rods are needed for the Xten. The standard GF-8 bucket is enlarged by simply adding a small, add on mini bucket.

As with all GFM cranes, to ensure the highest standards the GF-8 Xten is safety type tested and certified by the TÜV Süddeutschland.



Extension kit



Mini add-on weight bucket



Double rigging

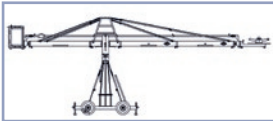


Extended column with telescopic supports

GF-8 Xten System

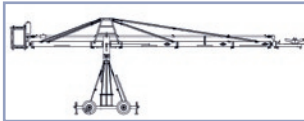


Grip Factory Munich GmbH
 Fürholzener Straße 1
 85386 Eching/München
 Germany
 Tel.: +49 (0)89 / 31 90 12 90
 Fax: +49 (0)89 / 31 90 12 99
 E-Mail: info@g-f-m.net
 Internet: www.g-f-m.net



Xten Version 1

Front extension arms required	2x 150 cm / 5'
Lift range	564 cm / 18' 6"
Maximum Euro-adapter height	483 cm / 15' 10"
Lift capacity	250 kg / 550 lbs
Counterweight required for max. load	456 kg / 1003 lbs
Counterweight required to balance empty arm	28 kg / 61 lbs
Crane weight (excluding weights)	283 kg / 662 lbs
Arm reach (pivot to camera head mount)	401 cm / 13' 1"



Xten Version 2

Front extension arms required	2x 150 cm / 5'
Lift range	1x 100 cm / 3' 3"
Maximum Euro-adapter height	727 cm / 23' 10"
Lift capacity	564 cm / 18' 6"
Counterweight required for max. load	240 kg / 528 lbs
Counterweight required to balance empty arm	586 kg / 1289 lbs
Crane weight (excluding weights)	64 kg / 140 lbs
Arm reach (pivot to camera head mount)	300 kg / 660 lbs
	499 cm / 16' 4"



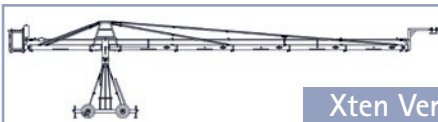
Xten Version 3

Front extension arms required	3x 150 cm / 5'
Lift range	1x 100 cm / 3' 3"
Maximum Euro-adapter height	971 cm / 31' 10"
Lift capacity	687 cm / 22' 6"
Counterweight required for max. load	170 kg / 374 lbs
Counterweight required to balance empty arm	600 kg / 1320 lbs
Crane weight (excluding weights)	130 kg / 286 lbs
Arm reach (pivot to camera head mount)	318 kg / 699 lbs
	647 cm / 21' 2"



Xten Version 4

Front extension arms required	4x 150 cm / 5'
Lift range	1054 cm / 34' 6"
Maximum Euro-adapter height	728 cm / 23' 10"
Lift capacity	140 kg / 308 lbs
Counterweight required for max. load	600 kg / 1320 lbs
Counterweight required to balance empty arm	154 kg / 338 lbs
Crane weight (excluding weights)	326 kg / 717 lbs
Arm reach (pivot to camera head mount)	697 cm / 22' 10"



Xten Version 5

Front extension arms required	5x 150 cm / 5'
Lift range	1299 cm / 42' 7"
Maximum height	869 cm / 28' 6"
Lift capacity	80 kg / 176 lbs
Counterweight required for max. load	526 kg / 1159 lbs
Counterweight required to balance empty arm	214 kg / 471 lbs
Crane weight (excluding weights)	335 kg / 737 lbs
Arm reach (pivot to camera head mount)	861 cm / 28' 2"



Xten Version 6

Front extension arms required	5x 150 cm / 5'
Lift range	1x 100 cm / 3' 3"
Maximum height	1462 cm / 47' 9"
Lift capacity	950 cm / 31' 2"
Counterweight required for max. load	70 kg / 154 lbs
Counterweight required to balance empty arm	588 kg / 1293 lbs
Crane weight (excluding weights)	266 kg / 585 lbs
Arm reach (pivot to camera head mount)	346 kg / 761 lbs
	958 cm / 31' 4"



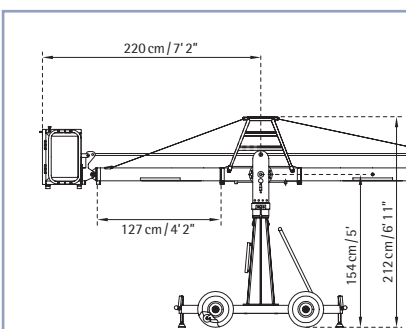
Xten Version 7

Front extension arms required	5x 150 cm / 5'
Lift range	1x 100 cm / 3' 3"
Maximum height	1506 cm / 49' 4"
Lift capacity	973 cm / 31' 10"
Counterweight required for max. load	65 kg / 374 lbs
Counterweight required to balance empty arm	602 kg / 1324 lbs
Crane weight (excluding weights)	288 kg / 633 lbs
Arm reach (pivot to camera head mount)	351 kg / 772 lbs
	985 cm / 32' 3"

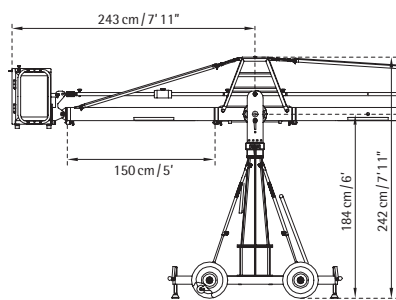


Xten Version 8

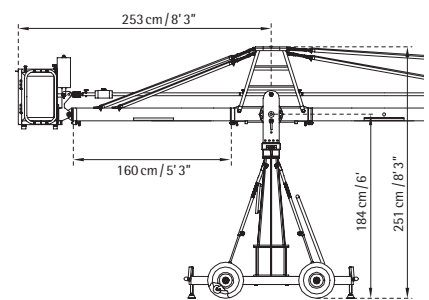
Front extension arms required	5x 150 cm / 5'
Lift range	1x 127 cm / 4' 2"
Maximum height	1x 100 cm / 3' 3"
Lift capacity	1660 cm / 54' 5"
Counterweight required for max. load	1054 cm / 34' 6"
Counterweight required to balance empty arm	50 kg / 110 lbs
Crane weight (excluding weights)	602 kg / 1324 lbs
Arm reach (pivot to camera head mount)	350 kg / 770 lbs
	362 kg / 796 lbs
	1083 cm / 35' 6"



GF-8



GF-8 Version 17+18



GF-8 Xten